

ENGLISH

FRANÇAIS

DEUTSCH

ITALIANO

ESPAÑOL

日本語

AXIS P33-VE Series Fixed Dome Network Camera

AXIS P3364-VE

AXIS P3365-VE

AXIS P3367-VE

AXIS P3384-VE

Installation Guide

Legal Considerations

Video and audio surveillance can be regulated by laws that vary from country to country. Check the laws in your local region before using this product for surveillance purposes.

This product includes one (1) H.264 decoder license and one (1) AAC decoder license. To purchase further licenses, contact your reseller.

Liability

Every care has been taken in the preparation of this document. Please inform your local Axis office of any inaccuracies or omissions. Axis Communications AB cannot be held responsible for any technical or typographical errors and reserves the right to make changes to the product and manuals without prior notice. Axis Communications AB makes no warranty of any kind with regard to the material contained within this document, including, but not limited to, the implied warranties of merchantability and fitness for a particular purpose. Axis Communications AB shall not be liable nor responsible for incidental or consequential damages in connection with the furnishing, performance or use of this material. This product is only to be used for its intended purpose.

Intellectual Property Rights

Axis AB has intellectual property rights relating to technology embodied in the product described in this document. In particular, and without limitation, these intellectual property rights may include one or more of the patents listed at www.axis.com/patent.htm and one or more additional patents or pending patent applications in the US and other countries.

This product contains licensed third-party software. See the menu item "About" in the product's user interface for more information.

This product contains source code copyright Apple Computer, Inc., under the terms of Apple Public Source License 2.0 (see www.opensource.apple.com/aps/). The source code is available from <https://developer.apple.com/bonjour/>

Equipment Modifications

This equipment must be installed and used in strict accordance with the instructions given in the user documentation. This equipment contains no user-serviceable components. Unauthorized equipment changes or modifications will invalidate all applicable regulatory certifications and approvals.

Trademark Acknowledgments

AXIS COMMUNICATIONS, AXIS, ETRAX, ARTPEC and VAPIX are registered trademarks or trademark applications of Axis AB in various jurisdictions. All other company names and products are trademarks or registered trademarks of their respective companies.

Apple, Boa, Apache, Bonjour, Ethernet, Internet Explorer, Linux, Microsoft, Mozilla, Real, SMPTE, QuickTime, UNIX, Windows, Windows Vista and WWW are registered trademarks of the respective holders. Java and all Java-based trademarks and logos are trademarks or registered trademarks of Oracle and/or its affiliates. UPnP™ is a certification mark of the UPnP™ Implementers Corporation.

SD, SDHC and SDXC are trademarks or registered trademarks of SD-3C, LLC in the United States, other countries or both. Also, miniSD, microSD, miniSDHC, microSDHC, microSDXC are all trademarks or registered trademarks of SD-3C, LLC in the United States, other countries or both.

Regulatory Information

Europe

CE This product complies with the applicable CE marking directives and harmonized standards:

- Electromagnetic Compatibility (EMC) Directive 2004/108/EC. See *Electromagnetic Compatibility (EMC) on page 2*.
- Low Voltage (LVD) Directive 2006/95/EC. See *Safety on page 3*.
- Restrictions of Hazardous Substances (RoHS) Directive 2011/65/EU. See *Disposal and Recycling on page 3*.

A copy of the original declaration of conformity may be obtained from Axis Communications AB. See *Contact Information on page 3*.

Electromagnetic Compatibility (EMC)

This equipment has been designed and tested to fulfill applicable standards for:

- Radio frequency emission when installed according to the instructions and used in its intended environment.
- Immunity to electrical and electromagnetic phenomena when installed according to the instructions and used in its intended environment.

USA

Using an unshielded network cable (UTP) – This equipment has been tested using an unshielded network cable (UTP) and found to comply with the limits for a Class A digital device, pursuant to part 15 of the FCC Rules. These limits are designed to provide reasonable protection against harmful interference when the equipment is operated in a commercial environment. This equipment generates, uses, and can radiate radio frequency energy and, if not installed and used in accordance with the instruction manual, may cause harmful interference to radio communications. Operation of this equipment in a residential area is likely to cause harmful interference in which case the user will be required to correct the interference at his own expense.

Using a shielded network cable (STP) – This equipment has also been tested using a shielded network cable (STP) and found to comply with the limits for a Class B digital device, pursuant to part 15 of the FCC Rules. These limits are designed to provide reasonable protection against harmful interference in a residential installation. This equipment generates, uses and can radiate radio frequency energy and, if not installed and used in accordance with the instructions, may cause harmful interference to radio communications. However, there is no guarantee that interference will not occur in a particular installation. If this equipment does cause harmful interference to radio or television reception, which can be determined by turning the equipment off and on, the user is encouraged to try to correct the interference by one or more of the following measures:

- Reorient or relocate the receiving antenna.
- Increase the separation between the equipment and receiver.
- Connect the equipment into an outlet on a circuit different from that to which the receiver is connected.
- Consult the dealer or an experienced radio/TV technician for help.

To be used in a residential area or a demanding electrical environment, the product shall be connected using a shielded network cable (STP) that is properly grounded.

Canada

This digital apparatus complies with CAN ICES-3 (Class B). The product shall be connected using a shielded network

cable (STP) that is properly grounded.
Cet appareil numérique est conforme à la norme CAN NMB-3 (classe B). Le produit doit être connecté à l'aide d'un câble réseau blindé (STP) qui est correctement mis à la terre.

Europe

This digital equipment fulfills the requirements for RF emission according to the Class B limit of EN 55022. The product shall be connected using a shielded network cable (STP) that is properly grounded.

This product fulfills the requirements for emission and immunity according to EN 50121-4 and IEC 62236-4 railway applications.

This product fulfills the requirements for immunity according to EN 61000-6-1 residential, commercial and light-industrial environments.

This product fulfills the requirements for immunity according to EN 61000-6-2 industrial environments.

This product fulfills the requirements for immunity according to EN 55024 office and commercial environments

Australia/New Zealand

This digital equipment fulfills the requirements for RF emission according to the Class B limit of AS/NZS CISPR 22. The product shall be connected using a shielded network cable (STP) that is properly grounded.

Japan

この装置は、クラスB情報技術装置です。この装置は、家庭環境で使用することを目的としていますが、この装置がラジオやテレビジョン受信機に近接して使用されると、受信障害を引き起こすことがあります。取扱説明書に従って正しい取り扱いをして下さい。本製品は、シールドネットワークケーブル(STP)を使用して接続してください。また適切に接地してください。

Korea

이 기기는 가정용(B급) 전자파적합기기로서 주로 가정에서 사용하는 것을 목적으로 하며, 모든 지역에서 사용할 수 있습니다. 적절히 접지된 STP (shielded twisted pair) 케이블을 사용하여 제품을 연결 하십시오.

Safety

This product complies with IEC/EN/UL 60950-1 and IEC/EN/UL 60950-22, Safety of Information Technology Equipment. The product shall be grounded either through a shielded network cable (STP) or other appropriate method.

Disposal and Recycling

When this product has reached the end of its useful life, dispose of it according to local laws and regulations. For information about your nearest designated collection point, contact your local authority responsible for waste disposal. In accordance with local legislation, penalties may be applicable for incorrect disposal of this waste.

Europe



■ This symbol means that the product shall not be disposed of together with household or commercial waste. Directive 2012/19/EU on waste electrical and electronic equipment (WEEE) is applicable in the European Union member states. To prevent potential harm to human health and the environment, the product must be disposed of in an approved and environmentally safe recycling process. For information about your nearest designated collection point, contact your local authority responsible for waste

disposal. Businesses should contact the product supplier for information about how to dispose of this product correctly.

This product complies with the requirements of Directive 2011/65/EU on the restriction of the use of certain hazardous substances in electrical and electronic equipment (RoHS).

China



This product complies with the requirements of the legislative act Administration on the Control of Pollution Caused by Electronic Information Products (ACPEIP).

Contact Information

Axis Communications AB
Emdälavägen 14
223 69 Lund
Sweden

Tel: +46 46 272 18 00

Fax: +46 46 13 61 30

www.axis.com

Support

Should you require any technical assistance, please contact your Axis reseller. If your questions cannot be answered immediately, your reseller will forward your queries through the appropriate channels to ensure a rapid response. If you are connected to the Internet, you can:

- download user documentation and software updates
- find answers to resolved problems in the FAQ database. Search by product, category, or phrase
- report problems to Axis support staff by logging in to your private support area
- chat with Axis support staff
- visit Axis Support at www.axis.com/techsup/

Learn More!

Visit Axis learning center www.axis.com/academy/ for useful trainings, webinars, tutorials and guides.

Safety Information

Read through this Installation Guide carefully before installing the product. Keep the Installation Guide for future reference.

Hazard Levels

▲DANGER

Indicates a hazardous situation which, if not avoided, will result in death or serious injury.

▲WARNING

Indicates a hazardous situation which, if not avoided, could result in death or serious injury.

▲CAUTION

Indicates a hazardous situation which, if not avoided, could result in minor or moderate injury.

NOTICE

Indicates a situation which, if not avoided, could result in damage to property.

Other Message Levels

Important

Indicates significant information which is essential for the product to function correctly.

Note

Indicates useful information which helps in getting the most out of the product.

AXIS P33–VE Series Fixed Dome Network Camera

Safety Instructions

NOTICE

- The Axis product shall be used in compliance with local laws and regulations.
- Store the Axis product in a dry and ventilated environment.
- Avoid exposing the Axis product to shocks or heavy pressure.
- Do not install the product on unstable brackets, surfaces or walls.
- Use only applicable tools when installing the Axis product. Using excessive force with power tools could cause damage to the product.
- Do not use chemicals, caustic agents, or aerosol cleaners.
- Use a clean cloth dampened with pure water for cleaning.
- Use only accessories that comply with technical specification of the product. These can be provided by Axis or a third party.
- Use only spare parts provided by or recommended by Axis.
- Do not attempt to repair the product by yourself. Contact Axis support or your Axis reseller for service matters.

Transportation

NOTICE

- When transporting the Axis product, use the original packaging or equivalent to prevent damage to the product.

Battery

The Axis product uses a 3.0 V BR/CR2032 lithium battery as the power supply for its internal real-time clock (RTC). Under normal conditions this battery will last for a minimum of five years.

Low battery power affects the operation of the RTC, causing it to reset at every power-up. When the battery needs replacing, a log message will appear in the product's server report. For more information about the server report, see the product's setup pages or contact Axis support.

The battery should not be replaced unless required, but if the battery does need replacing, contact Axis support at www.axis.com/techsup for assistance.

▲WARNING

- Risk of explosion if the battery is incorrectly replaced.
- Replace only with an identical battery or a battery which is recommended by Axis.
- Dispose of used batteries according to local regulations or the battery manufacturer's instructions.

Dome Cover

NOTICE

- Be careful not to scratch, damage or leave fingerprints on the dome cover because this could decrease image quality. If possible, keep the protective plastic on the dome cover until the installation is complete.
- Do not clean a dome cover that looks clean to the eye and never polish the surface. Excessive cleaning could damage the surface.
- For general cleaning of the dome cover it is recommended to use a non-abrasive, solvent-free neutral soap or detergent mixed with pure water and a soft, clean cloth. Rinse well with pure lukewarm water. Dry with a soft, clean cloth to prevent water spotting.
- Never use harsh detergents, gasoline, benzene or acetone etc. and avoid cleaning the dome cover in direct sunlight or at elevated temperatures.

Installation Guide

This Installation Guide provides instructions for installing AXIS P3364–VE/P3365–VE/AXIS P3367–VE/AXIS P3384–VE Network Camera on your network. For other aspects of using the product, see the User Manual available at www.axis.com

Installation Steps

1. Make sure the package contents, tools and other materials necessary for the installation are in order. See *page 9*.
2. Study the hardware overview. See *page 10*.
3. Study the specifications. See *page 14*.
4. Install the hardware. See *page 16*.
5. Access the product. See *page 25*.

Package Contents

- AXIS P3364–VE/P3365–VE/P3367–VE/P3384–VE Fixed Dome Network Camera
- 5 m network cable with gasket
- Connector kit
- Resitorx screw driver
- Smoked dome cover with gasket
- Mounting bracket
- Weather shield
- Printed materials
 - Installation Guide (this document)
 - Drill template
 - Extra serial number label (2x)
 - AVHS Authentication key

Optional Accessories

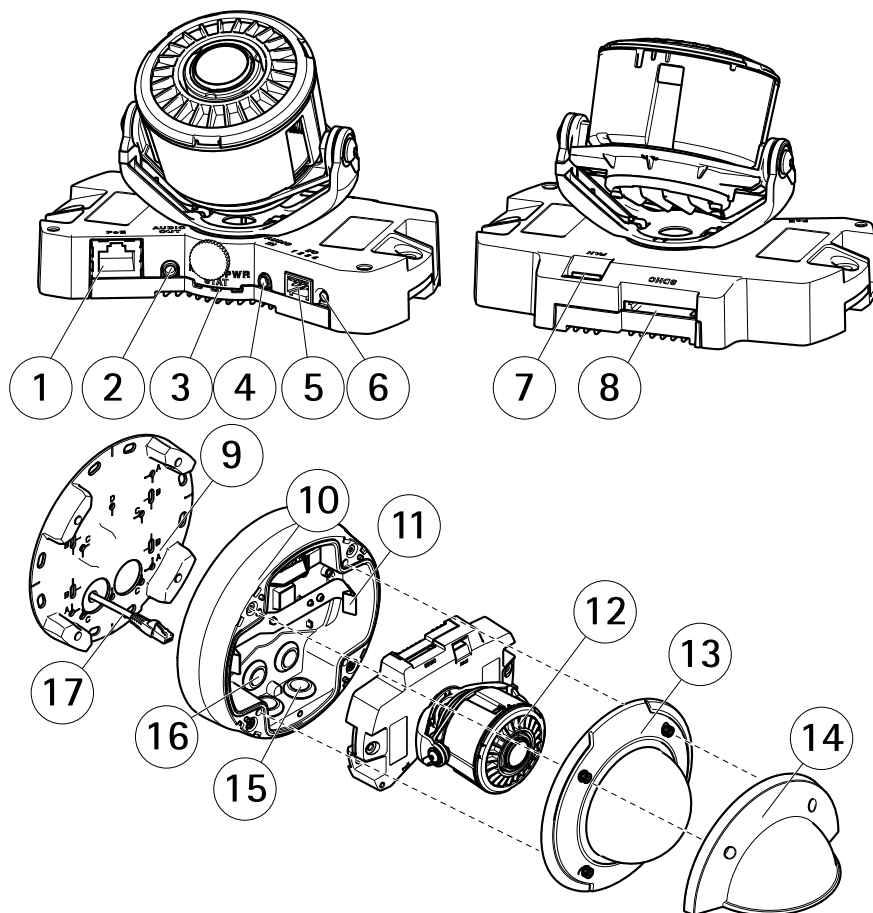
- Multi-user decoder license pack
- AXIS T8414 Installation Display
- AXIS PoE Midspans
- AXIS T90B Illuminators
- IP51-rated drop-ceiling mount kit
- Pendant kit

AXIS P33-VE Series Fixed Dome Network Camera

- Cable shield
- Pendant kit including weather shield
- Audio I/O cable with pre-mounted gasket

For information about available accessories, see www.axis.com

Hardware Overview

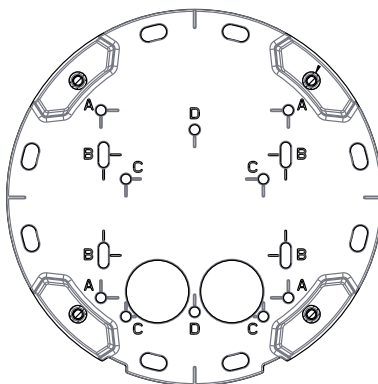


- 1 Network connector
- 2 Audio out
- 3 LED indicators (network, status, power)

- 4 *Audio in*
- 5 *I/O connector*
- 6 *Control button*
- 7 *Fan connector*
- 8 *SD card slot*
- 9 *Mounting bracket*
- 10 *Unit casing*
- 11 *Spring*
- 12 *Camera heater*
- 13 *Dome cover*
- 14 *Weather shield*
- 15 *Bottom holes*
- 16 *Side holes*
- 17 *Network cable*

Mounting Bracket

The mounting bracket has 4 mounting patterns (A, B, C, D).



The mounting patterns follow the standard for the following mounting options:

- A: 4 inch square box
- B: standard-sized US double gang junction box
- C: 4 inch octagon box
- D: standard-sized US single gang junction box

AXIS P33–VE Series Fixed Dome Network Camera

LED Indicators

Note

- The Status LED can be configured to be unlit during normal operation. To configure, go to **Setup > System Options > Ports & Devices > LED**. See the online help for more information.
- The Status LED can be configured to flash while an event is active.
- The Status LED can be configured to flash for identifying the unit. Go to **Setup > System Options > Maintenance** .

Status LED	Indication
Green	Steady green for normal operation.
Amber	Steady during startup and when restoring settings.
Red	Flashes red for firmware upgrade failure.

Network LED	Indication
Green	Steady for connection to a 100 Mbit/s network. Flashes for network activity.
Amber	Steady for connection to a 10 Mbit/s network. Flashes for network activity.
Unlit	No network connection.

Power LED	Indication
Green	Normal operation.
Amber	Flashes green/amber during firmware upgrade.

Connectors and Buttons

For specifications and operating conditions, see *page 14*.

Network Connector

RJ45 Ethernet connector with Power over Ethernet (PoE).

NOTICE

Due to local regulations or the environmental and electrical conditions in which the product is to be used, a shielded network cable (STP) may be appropriate or required. All cables connecting the product to the network and that are routed outdoors or in demanding electrical environments shall be intended for their specific use. Make sure that the network devices are installed in accordance with the manufacturer's instructions. For information about regulatory requirements, see *Electromagnetic Compatibility (EMC) on page 2*.

I/O Connector

Use with external devices in combination with, for example, tampering alarms, motion detection, event triggering, time lapse recording and alarm notifications. In addition to the 0 V DC reference point and power (DC output), the I/O connector provides the interface to:

- **Digital output** – For connecting external devices such as relays and LEDs. Connected devices can be activated by the VAPIX® Application Programming Interface, output buttons on the Live View page or by an Action Rule. The output will show as active (shown under **System Options > Ports & Devices**) if the alarm device is activated.
- **Digital input** – An alarm input for connecting devices that can toggle between an open and closed circuit, for example: PIRs, door/window contacts, glass break detectors, etc. When a signal is received the state changes and the input becomes active (shown under **System Options > Ports & Devices**).

Audio Connector

The Axis product has the following audio connectors:

- **Audio in (pink)** – 3.5 mm input for a mono microphone, or a line-in mono signal.
- **Audio out (green)** – 3.5 mm output for audio (line level) that can be connected to a public address (PA) system or an active speaker with a built-in amplifier. A stereo connector must be used for audio out.

For audio in, the left channel is used from a stereo signal.

SD Card Slot

NOTICE

- Risk of damage to SD card. Do not use sharp tools or excessive force when inserting or removing the SD card.
- Risk of data loss. To prevent data corruption, the SD card should be unmounted before removal. To unmount, go to **Setup > System Options > Storage > SD Card** and click **Unmount**.

This product supports SD/SDHC/SDXC cards (not included).

AXIS P33–VE Series Fixed Dome Network Camera

For SD card recommendations, see www.axis.com

Control Button

For location of the control button, see *Hardware Overview on page 10*.

The control button is used for:

- Resetting the product to factory default settings. See *page 25*.
- Connecting to an AXIS Video Hosting System service or AXIS Internet Dynamic DNS Service. For more information about these services, see the User Manual.

Specifications

Operating Conditions

The Axis product is intended for outdoor use.

Product	Classification	Temperature	Humidity
AXIS P3364–VE AXIS P3365–VE AXIS P3367–VE AXIS P3384–VE	IEC 62262 IK10 NEMA 250 Type 4X	-40 °C to 55 °C (-40 °F to 131 °F)	10–100% RH (condensing)

Power Consumption

NOTICE

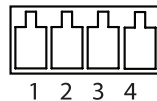
Risk of heater malfunctioning. Make sure the switch on the bottom of the camera is configured to `HEATER-POE CLASS 3`.

Product	PoE
AXIS P3364–VE AXIS P3365–VE AXIS P3367–VE AXIS P3384–VE	Power over Ethernet (PoE) IEEE 802.3af/802.3at Type 1 Class 3

Connectors

I/O Connector

4-pin terminal block

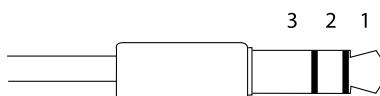


For an example diagram, see *Connection Diagrams* on page 16.

Function	Pin	Notes	Specifications
0 V DC (-)	1		0 V DC
DC output	2	Can be used to power auxiliary equipment. Note: This pin can only be used as power out.	3.3 V DC Max load = 50 mA
Digital input	3	Connect to pin 1 to activate, or leave floating (unconnected) to deactivate	0 to max 40 V DC
Digital output	4	Connected to pin 1 when activated, floating (unconnected) when deactivated. If used with an inductive load, e.g. a relay, a diode must be connected in parallel with the load, for protection against voltage transients.	0 to max 40 V DC, open drain, 100 mA

Audio Connector

3.5 mm audio connectors (stereo)

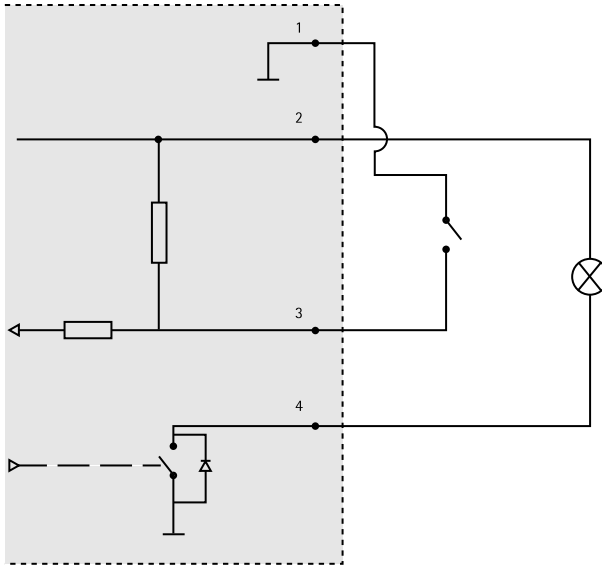


	1 Tip	2 Ring	3 Sleeve
Audio Input	Microphone/Line in		Ground
Audio Output	Line out (mono)		Ground

AXIS P33–VE Series Fixed Dome Network Camera

Connection Diagrams

I/O Connector



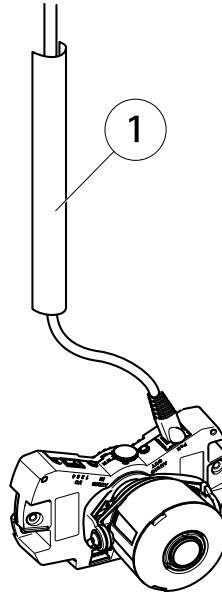
- 1 0 V DC (-)
- 2 DC output 3.3 V, max 50 mA
- 3 Digital input 0 to max 40 V DC
- 4 Digital output 0 to max 40 V DC, open drain, 100 mA

Install the Hardware

Note

- This Axis product can be mounted with the cables routed through or along the wall.
- This product can be fitted with a metal conduit for protecting the cabling when the cables are routed along the wall.

The illustration shows an indoor model.



1 Metal conduit (not included)

Perform the hardware installation in the following order:

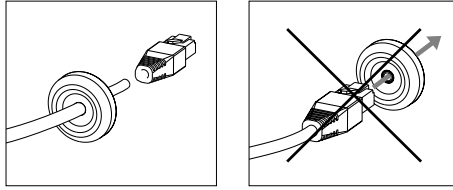
1. *Prepare the Network Cable*
2. *Replace Clear/Smoked Dome Cover (Optional)*
3. *Route the Cables*
4. *Install the Camera Unit*
5. *Adjust the Position of the Lens*
6. *Adjust Focus and Zoom*
7. *Complete the Installation*

Prepare the Network Cable

Note

- Do not force the network connector into the gasket.
- Do not pierce the gasket with a knife or other sharp object.

AXIS P33–VE Series Fixed Dome Network Camera



If a cable other than the provided cable is used, you need to prepare a network cable with a gasket. Gently push the cable through the gasket provided and attach a network connector. It may be necessary to pierce a hole in the gasket with the resitorx screwdriver.

Replace Clear/Smoked Dome Cover (Optional)

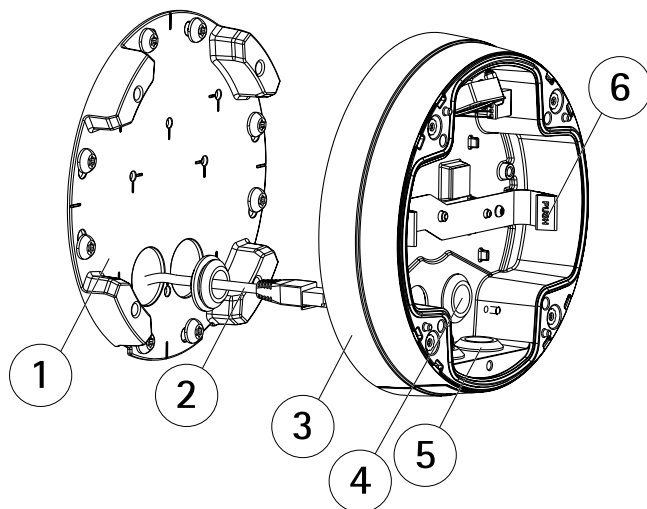
The Axis product is supplied with an optional dome. To replace the dome cover:

1. Loosen the four screws under the dome cover that hold the dome in place.
2. Replace the old dome with the new. Make sure the rubber gasket sits securely in place and tighten the screws.

Route the Cables

The cables can be routed in the following ways:

- Through the wall, see *Route the Cables through the Wall* on page 19
- Along the wall, see *Prepare the Unit Casing* on page 19 and page *Route the Cables along the Wall* on page 20.



- 1 *Mounting bracket*
- 2 *Network cable with gasket*
- 3 *Unit casing*
- 4 *Wall gasket*
- 5 *Bottom gasket*
- 6 *Spring*

Route the Cables through the Wall

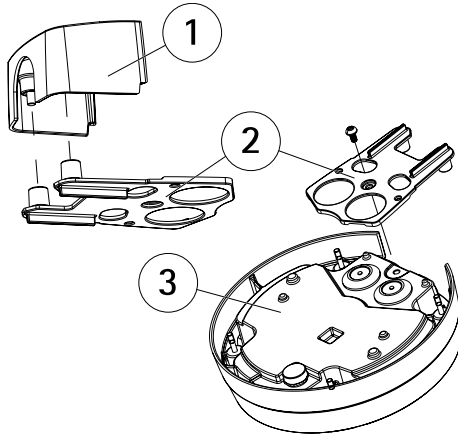
1. Drill four holes in the wall using the drill template.
2. Route the network cable and, if required, the I/O and audio cables through the wall and through the holes in the mounting bracket.
3. Attach the mounting bracket to the wall using four screws and plugs appropriate for the wall material.
4. Remove the camera unit from the unit casing by pushing the springs apart.
5. Remove the wall gaskets from the unit casing. If there is only one cable, remove only one gasket.
6. Route the cables through the wall holes in the unit casing.
7. Drag the gaskets along the cables and plug them into the holes. The gaskets should fit snugly in the holes with no folds or bends.
8. Attach the unit casing to the mounting bracket by tightening the four screws.

Prepare the Unit Casing

If the cables are to be routed along the wall, prepare the unit casing as follows:

AXIS P33–VE Series Fixed Dome Network Camera

1. Remove the side lid that is attached to the unit casing by removing the screw.
2. Loosen the two screws on the cable shield and detach the bottom part.
3. Attach the bottom part of the cable shield to the unit casing with the screw.



- 1 *Top part of cable shield (optional accessory)*
- 2 *Bottom part of cable shield (optional accessory)*
- 3 *Unit casing*

Route the Cables along the Wall

Note

To avoid moisture-related problems it is recommended that the cables are routed to the camera from below with the cable holes facing downwards.

1. Drill four holes in the wall using the drill template.
2. Attach the mounting bracket to the wall using four screws appropriate for the wall material.
3. Remove the camera unit from the unit casing by pushing the springs aside.
4. Remove the bottom gaskets in the unit casing. If there is only one cable, remove only one gasket.
5. Place the unit casing on the mounting bracket and attach it by tightening the four screws.
6. Pull the network cable and, if required, the I/O and audio cables up through the bottom holes in the unit casing.
7. Drag the gaskets along the cables and plug them into the holes. The gaskets should fit snugly in the holes with no folds or bends.
8. Re-attach the top part of the cable shield by tightening the two screws.

Install the Camera Unit

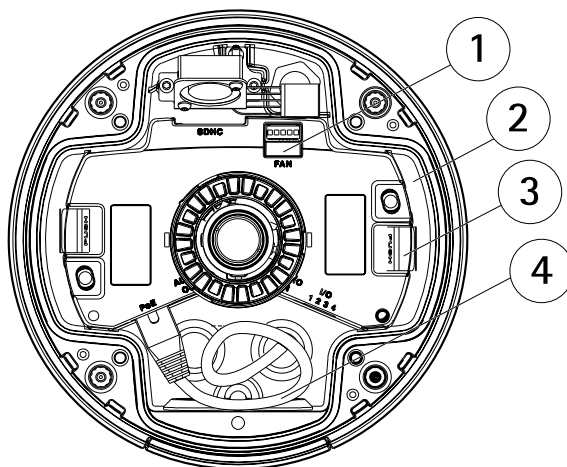
NOTICE

Risk of heater malfunctioning. Make sure the switch under the camera is configured to HEATER-POE CLASS 3.

Note

Be careful to not stretch the network cable, or bend it unnecessarily, as this can break the cable.

1. Attach the network cable to the camera unit and, if required, the cables for audio and I/O. It is recommended that the network cable is turned into a loop as shown in the illustration.
2. Insert the SD memory card (optional).
3. Pull aside the springs in the unit casing and click the camera unit in place.
4. Attach the fan connector to the connector in the camera unit.



- 1 Fan connector
- 2 Camera unit
- 3 Spring
- 4 Network cable

Adjust the Position of the Lens

The lens can be rotated and tilted to cover a certain area of interest and adjust the live view image.

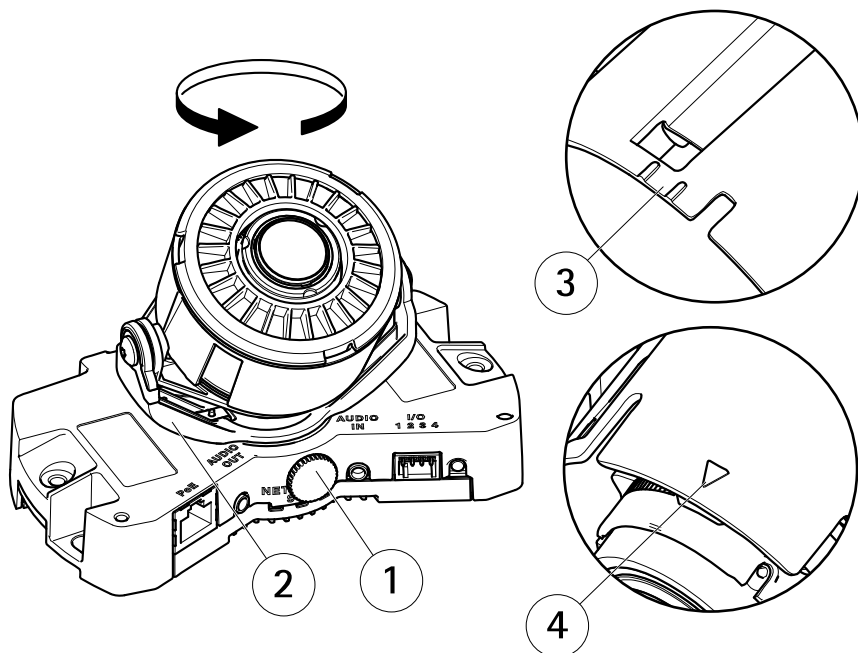
AXIS P33-VE Series Fixed Dome Network Camera

Rotate the Lens

Note

The marking on the lens cover is by default oriented facing upwards (wall mount).

1. Open the Live View page, see *Access the Product* on page 25.



- 1 Locking screw
- 2 Lens holder
- 3 Marking (design A)
- 4 Marking (design B)

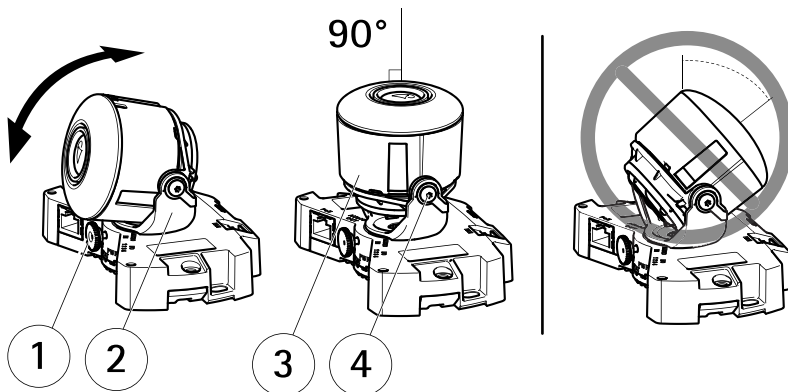
2. Loosen the locking screw.
3. Check the Live View page and turn the lens holder to rotate the lens 90° or 180°.
4. Once satisfied, gently tighten the locking screw to secure the lens holder's position.

Tilt the Lens

NOTICE

Valid for **AXIS P3365-VE/P3367-VE/P3384-VE**: The lens should not be tilted more than 90°, this may cause damage to the product. Follow the instructions below.

The illustration below shows an indoor variant.



- 1 Locking screw
- 2 Lens holder
- 3 Lens
- 4 Screws

1. Open the **Live View** page, see *Access the Product on page 25*.
2. Loosen the two screws.
3. Check the **Live View** page and tilt the lens to the desired position.
4. If the lens needs to be tilted more than 90°, do the following:
 - Loosen the locking screw.
 - Rotate the lens holder 180°.
 - Fasten the locking screw.
 - Tilt the lens.
5. Tighten the two screws.

Adjust Focus and Zoom

NOTICE

Adjusting focus and zoom manually can damage the lens.

AXIS P33–VE Series Fixed Dome Network Camera

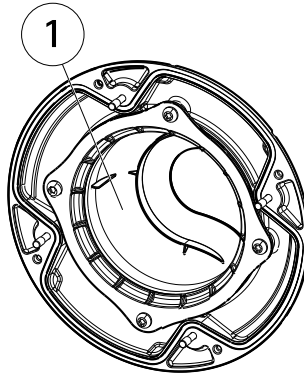
Note

- Due to the dome's refraction, the image may appear slightly out of focus once the dome has been placed. To correct this go to the Focus Adjustment web page under **Setup > Basic Setup > Focus & Zoom**, and adjust the focus again.

Open the **Focus Adjustment** page in the web interface under **Setup > Basic Setup > Focus & Zoom**, and follow the on-screen instructions. Use the image window to adjust the focus and zoom. See the online help files for more information.

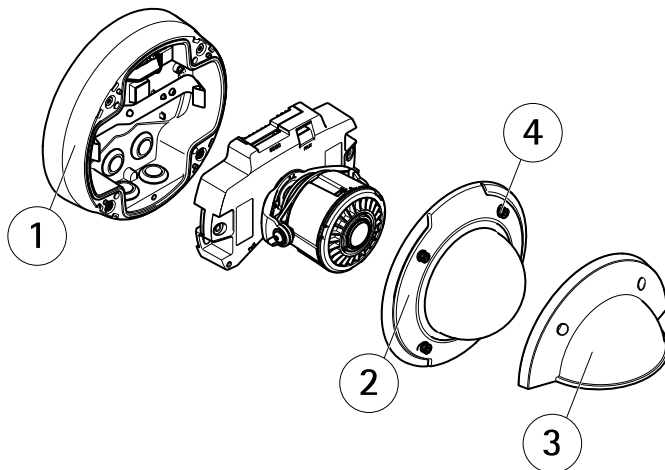
Complete the Installation

1. Rotate the black shield inside the dome cover so it does not cover the lens.



1 *Black shield*

2. If required, attach the weather shield to the camera before you attach the dome cover:
 - Remove the two screws in the dome cover.
 - Transfer the washers from the screws to the screws used on the weather shield, and attach the weather shield.
3. Make sure the rubber gasket sits securely on the dome cover.
4. Clean the dome with a dry soft cloth to remove dust and finger prints and use a blower to remove dust from the lens.
5. Attach the dome cover to the unit casing by tightening the four screws.
6. When the dome cover is in place, make sure that the camera is properly focused.



- 1 Unit casing
- 2 Dome cover
- 3 Weathershield
- 4 Screw and washer

The installation is now complete.

Access the Product

AXIS IP Utility and AXIS Camera Management are recommended methods for finding Axis products on the network and assigning them IP addresses in Windows®. Both applications are free and can be downloaded from www.axis.com/techsup

The product can be used with most operating systems and browsers. The recommended browsers are

- Internet Explorer® with Windows®
- Safari® with OS X® and
- Chrome™ or Firefox® with other operating systems.

For more information about using the product, see the User Manual available at www.axis.com

Reset to Factory Default Settings

Important

Reset to factory default should be used with caution. A reset to factory default will reset all settings, including the IP address, to the factory default values.

AXIS P33–VE Series Fixed Dome Network Camera

Note

The installation and management software tools are available from the support pages on www.axis.com/techsup

To reset the product to the factory default settings:

1. Disconnect power from the product.
2. Press and hold the control button and reconnect power. See *Hardware Overview on page 10*.
3. Keep the control button pressed for 15–30 seconds until the status LED indicator flashes amber.
4. Release the control button. The process is complete when the status LED indicator turns green. The product has been reset to the factory default settings. If no DHCP server is available on the network, the default IP address is 192.168.0.90
5. Using the installation and management software tools, assign an IP address, set the password, and access the video stream.

It is also possible to reset parameters to factory default via the web interface. Go to **Setup > System Options > Maintenance**.

Further Information

The User Manual is available at www.axis.com

Visit www.axis.com/techsup to check if there is updated firmware available for your network product. To see the currently installed firmware version, go to **Setup > About**.

Visit Axis learning center www.axis.com/academy for useful trainings, webinars, tutorials and guides.

Warranty Information

For information about Axis' product warranty and thereto related information, see www.axis.com/warranty/

Informations sur la sécurité

Lisez attentivement ce guide d'installation avant d'installer l'appareil. Conservez le guide d'installation pour toute référence ultérieure.

Niveaux de risques

▲DANGER

Indique une situation dangereuse qui, si elle n'est pas évitée, entraînera le décès ou des blessures graves.

▲AVERTISSEMENT

Indique une situation dangereuse qui, si elle n'est pas évitée, pourrait entraîner le décès ou des blessures graves.

▲ATTENTION

Indique une situation dangereuse qui, si elle n'est pas évitée, pourrait entraîner des blessures légères ou modérées.

AVIS

Indique une situation qui, si elle n'est pas évitée, pourrait endommager l'appareil.

Autres niveaux de message

Important

Indique les informations importantes, nécessaires pour assurer le bon fonctionnement de l'appareil.

Note

Indique les informations utiles qui permettront d'obtenir le fonctionnement optimal de l'appareil.

Consignes de sécurité

AVIS

- Le produit Axis doit être utilisé conformément aux lois et réglementations locales en vigueur.
- Conserver ce produit Axis dans un environnement sec et ventilé.
- Ne pas exposer ce produit Axis aux chocs ou aux fortes pressions.
- Ne pas installer ce produit sur des supports, surfaces ou murs instables.
- Utiliser uniquement des outils recommandés pour l'installation de l'appareil Axis. L'application d'une force excessive sur l'appareil avec des outils puissants pourrait l'endommager.
- Ne pas utiliser de produits chimiques, de substances caustiques ou de nettoyeurs pressurisés.
- Utiliser un chiffon propre imbibé d'eau pure pour le nettoyage.
- Utiliser uniquement des accessoires conformes aux caractéristiques techniques du produit. Ils peuvent être fournis par Axis ou un tiers.
- Utiliser uniquement les pièces de rechange fournies ou recommandées par Axis.
- Ne pas essayer de réparer ce produit par vous-même. Contacter l'assistance technique d'Axis ou votre revendeur Axis pour des problèmes liés à l'entretien.

Transport

AVIS

- Lors du transport du produit Axis, utilisez l'emballage d'origine ou un équivalent pour éviter d'endommager le produit.

Batterie

Le produit Axis utilise une batterie au lithium BR/CR2032 3,0 V comme alimentation de son horloge en temps réel interne (RTC). Dans des conditions normales, cette batterie a une durée de vie minimale de cinq ans.

Si la batterie est faible, le fonctionnement de l'horloge en temps réel peut être affecté et entraîner sa réinitialisation à chaque mise sous tension. Un message enregistré apparaît dans le rapport de serveur du produit lorsque la batterie doit être remplacée. Pour tout complément d'information concernant le rapport de serveur, reportez-vous aux pages de Configuration du produit ou contactez l'assistance technique d'Axis.

La batterie doit être remplacée uniquement en cas de besoin, et pour ce faire, contactez l'assistance technique d'Axis à l'adresse www.axis.com/techsup et obtenir de l'aide.

⚠AVERTISSEMENT

- Risque d'explosion si la batterie est remplacée de façon incorrecte.
- Remplacez-la uniquement par une batterie identique ou une batterie recommandée par Axis.
- Mettez au rebut les batteries usagées conformément aux réglementations locales ou aux instructions du fabricant de la batterie.

Couvercle de dôme

AVIS

- Veillez à ne pas rayer, endommager ou laisser d'empreintes sur le couvercle du dôme car cela pourrait altérer la qualité d'image. Laissez, si possible, la protection en plastique sur le couvercle du dôme jusqu'à la fin de l'installation.
- Ne nettoyez pas le couvercle du dôme s'il semble propre à l'œil nu et ne frottez jamais sa surface. Un nettoyage excessif pourrait endommager la surface.
- Pour le nettoyage général du couvercle du dôme, il est recommandé d'utiliser un produit non abrasif, un savon neutre sans solvant ou un détergent mélangé avec de l'eau pure et un chiffon doux propre. Rincez bien à l'eau tiède pure. Séchez avec un chiffon doux et propre pour éviter les tâches d'eau.
- N'utilisez jamais de détergents agressifs, d'essence, de benzène ou d'acétone, etc. et évitez toute exposition directe aux rayons du soleil ou à des températures élevées lors du nettoyage.

Guide d'installation

Ce Guide d'installation fournit des instructions pour l'installation de la caméra réseau AXIS P3364–VE/P3365–VE/AXIS P3367–VE/AXIS P3384–VE sur votre réseau. Pour toute autre information relative à l'utilisation du produit, consultez le manuel de l'utilisateur disponible sur le site www.axis.com

Procédures d'installation

1. Assurez-vous que les outils et autres matériels nécessaires à l'installation sont inclus dans l'emballage. Cf. *page 31*.
2. Consultez la description du matériel. Cf. *page 32*.
3. Étudiez les caractéristiques. Cf. *page 14*.
4. Installez le matériel. Cf. *page 38*.
5. Utilisez le produit. Cf. *page 47*.

Contenu de l'emballage

- Caméra réseau à dôme fixe AXIS P3364–VE/P3365–VE/P3367–VE/P3384–VE
- Câble réseau de 5 m avec joint
- Kit de connexion
- Tournevis Resitorx
- Couvercle de dôme fumé avec joint
- Support de fixation
- Protection étanche
- Documents imprimés
 - Guide d'installation (ce document)
 - Gabarit de perçage
 - Étiquette supplémentaire de numéro de série (x2)
 - Clé d'authentification AVHS

Accessoires en option

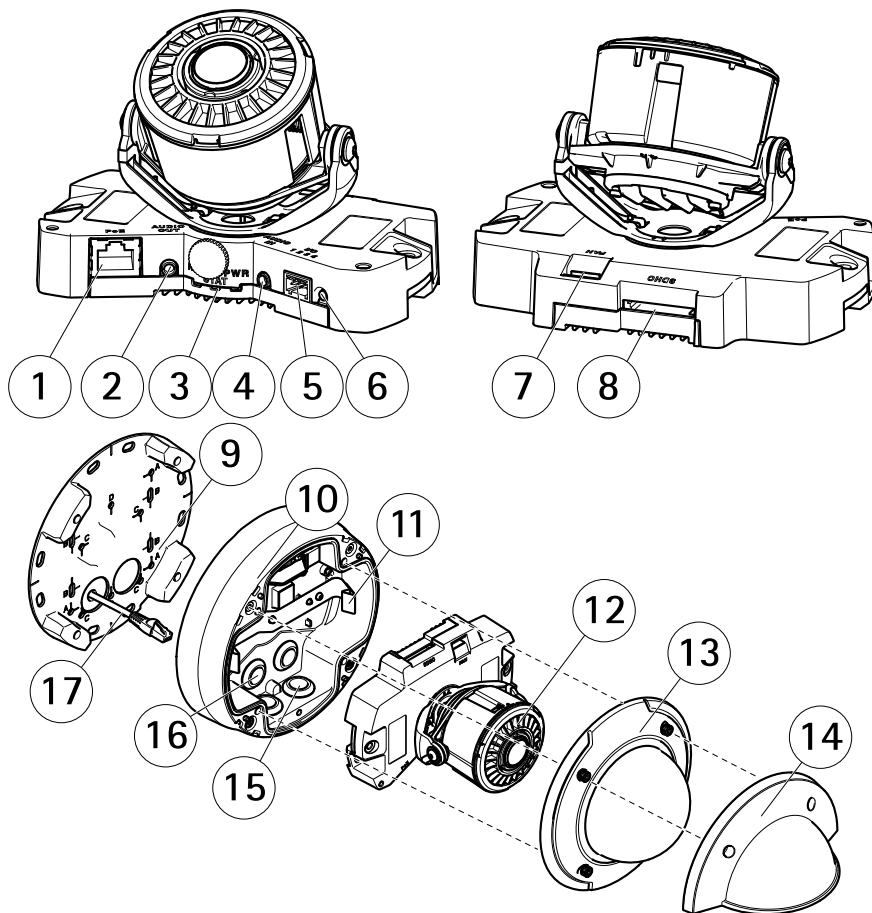
- Pack de licences multi-utilisateurs du décodeur
- Moniteur d'installation AXIS T8414
- Injecteurs PoE AXIS
- Illuminateurs AXIS T90B
- Kit de fixation au faux-plafond conforme à la norme IP51
- Kit de suspension

AXIS P33-VE Series Fixed Dome Network Camera

- Protection de câble
- Kit d'adaptateur de suspension comprenant une protection étanche
- Câble d'E/S audio avec joint préinstallé

Pour plus d'informations sur les accessoires disponibles, consultez le site www.axis.com

Aperçu du matériel

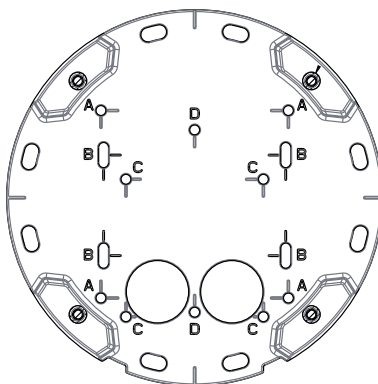


- 1 Connecteur réseau
- 2 Sortie audio
- 3 Voyants DEL (réseau, état, alimentation)

- 4 Entrée audio
- 5 Connecteur d'E/S
- 6 Bouton de commande
- 7 Connecteur de ventilateur
- 8 Emplacement pour carte SD
- 9 Support de fixation
- 10 Boîtier de l'unité
- 11 Ressort
- 12 Régulateur de chaleur de la caméra
- 13 Couvercle de dôme
- 14 Protection étanche
- 15 Trous de la partie inférieure
- 16 Trous latéraux
- 17 Câble réseau

Support de fixation

Le support de fixation dispose de 4 configurations de montage (A, B, C, D).



Les configurations de montage suivent la norme des options de montage suivantes :

- A : boîtier carré de 4 pouces
- B : boîtier de jonction américain double de taille normale
- C : boîtier octogonal de 4 pouces
- D : boîtier de jonction américain simple de taille normale

AXIS P33–VE Series Fixed Dome Network Camera

Voyants

Note

- Le voyant d'état peut être éteint pendant le fonctionnement normal. Pour ce faire, rendez-vous dans **Setup > System Options > Ports & Devices > LED (Configuration > Options système > Ports et dispositifs > DEL)**. Consultez l'aide en ligne pour plus d'informations.
- Le voyant d'état peut clignoter lorsqu'un événement est actif.
- Le voyant d'état peut clignoter pendant l'identification de l'appareil. Rendez-vous dans **Setup > System Options > Maintenance (Configuration > Options du système > Maintenance)**.

Voyant d'état	Indication
Vert	Vert fixe en cas de fonctionnement normal.
Orange	Fixe pendant le démarrage et lors de la restauration des paramètres.
Rouge	Clignote en rouge en cas d'échec de la mise à niveau du microprogramme.

Voyant DEL réseau	Indication
Vert	Fixe en cas de connexion à un réseau de 100 Mbits/s. Clignote en cas d'activité réseau.
Orange	Fixe en cas de connexion à un réseau de 10 Mbits/s. Clignote en cas d'activité réseau.
Éteint	Pas de connexion réseau.

Voyant d'alimentation	Indication
Vert	Fonctionnement normal.
Orange	Le voyant vert/orange clignote pendant la mise à niveau du microprogramme.

Connecteurs et boutons

Pour les caractéristiques et les conditions d'utilisation, consultez *page 36*.

Connecteur réseau

Connecteur Ethernet RJ45 avec l'alimentation par Ethernet (PoE).

AVIS

Les réglementations locales ou les conditions environnementales et électriques dans lesquelles le produit est utilisé peuvent nécessiter l'utilisation d'un câble réseau blindé (STP). Tous les câbles réseau qui sont acheminés à l'extérieur ou dans des environnements électriques exigeants doivent être destinés à leur usage spécifique. Assurez-vous que les périphériques réseau sont installés conformément aux instructions du fabricant. Pour plus d'informations sur les exigences réglementaires, consultez *Electromagnetic Compatibility (EMC) on page 2*.

Connecteur d'E/S

Utilisez-le avec des périphériques externes associés aux applications telles que les alarmes de détérioration, la détection de mouvement, le déclenchement d'événements, l'enregistrement à intervalles et les notifications d'alarme. En plus du point de référence 0 V CC et de l'alimentation (sortie CC), le connecteur d'E/S fournit une interface aux éléments suivants :

- **Sortie numérique** – Permet de connecter des dispositifs externes, comme des relais ou des voyants. Les appareils connectés peuvent être activés par l'interface de programmation VAPIX®, des boutons de sortie sur la page Live View (Vidéo en direct) ou par une règle d'action. La sortie est considérée comme étant active (comme indiqué dans **System Options > Ports & Devices** (Options du système > Ports et dispositifs)) si le dispositif d'alarme est activé.
- **Entrée numérique** – Entrée d'alarme utilisée pour connecter des dispositifs pouvant passer d'un circuit ouvert à un circuit fermé, par exemple : détecteurs infrarouge passifs, contacts de porte/fenêtre, détecteurs de bris de verre, etc. À la réception d'un signal, l'état change et l'entrée s'active (sous **System Options > Ports & Devices** (Options du système > Ports et dispositifs)).

Connecteur audio

Le produit Axis dispose des connecteurs audio suivants :

- **Entrée audio (rose)** – entrée de 3,5 mm pour microphone mono ou signal d'entrée mono.
- **Sortie audio (verte)** : sortie de 3,5 mm (sortie de ligne) qui peut être connectée à un système de sonorisation (PA) ou à un haut-parleur actif avec amplificateur intégré. Un connecteur stéréo doit être utilisé pour la sortie audio.

Pour l'entrée audio, le canal gauche d'un signal stéréo est utilisé.

AXIS P33–VE Series Fixed Dome Network Camera

Emplacement pour carte SD

AVIS

- La carte SD risque d'être endommagée. Ne pas utiliser d'outils tranchants et ne pas forcer lors de l'insertion ou du retrait de la carte SD.
- Risque de perte de données. Pour éviter la corruption des données, la carte SD doit être démontée avant son retrait. Pour ce faire, rendez-vous dans **Setup > System Options > Storage > SD Card (Configuration > Options du système > Stockage > Carte SD)** et cliquez sur **Unmount (Démonter)**.

Cet appareil est compatible avec une carte SD/SDHC/SDXC (non incluse).

Pour obtenir des conseils sur la carte SD, rendez-vous sur www.axis.com

Bouton de commande

Pour connaître l'emplacement du bouton de commande, consultez *Aperçu du matériel* page 32.

Le bouton de commande permet de réaliser les opérations suivantes :

- Réinitialisation du produit aux paramètres d'usine par défaut. Cf. *page 48*.
- Connexion au service du Système d'hébergement vidéo AXIS ou au service AXIS Internet Dynamic DNS. Pour plus d'informations sur ces services, reportez-vous au Manuel de l'utilisateur.

Caractéristiques techniques

Conditions d'utilisation

L'appareil Axis est uniquement destiné à une utilisation en extérieur.

Produit	Classification	Température	Humidité
AXIS P3364–VE AXIS P3365–VE AXIS P3367–VE AXIS P3384–VE	IEC 62262 IK10 NEMA 250 Type 4X	–40 °C à 55 °C (–40 °F à 131 °F)	Humidité relative de 10 à 100 % (condensation)

Consommation électrique

AVIS

Risque de dysfonctionnement du régulateur de chaleur. Assurez-vous que le commutateur placé sous la caméra est en position **HEATER–PoE CLASS 3**.

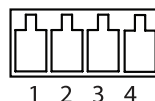
AXIS P33-VE Series Fixed Dome Network Camera

Produit	PoE
AXIS P3364-VE AXIS P3365-VE AXIS P3367-VE AXIS P3384-VE	Alimentation par Ethernet (PoE) IEEE 802.3af/802.3at Type 1 Classe 3

Connecteurs

Connecteur d'E/S

Bloc terminal à 4 broches.



Pour un exemple de schéma, consultez *Schémas de connexion* page 38.

Fonction	Broche	Notes	Caractéristiques
0 V CC (-)	1		0 V CC
Sortie CC	2	Peut servir à alimenter le matériel auxiliaire. Remarque : cette broche ne peut être utilisée que comme sortie d'alimentation.	3,3 V CC Charge max. = 50 mA
Entrée numérique	3	Connectez-la à la broche 1 pour l'activer ou laissez-la flotter (déconnectée) pour la désactiver.	0 à 40 V CC
Sortie numérique	4	Connectée à la broche 1 lorsqu'elle est activée, flotte (déconnectée) lorsqu'elle est désactivée. Si vous l'utilisez avec une charge inductive, par exemple un relais, une diode doit être connectée en parallèle avec la charge, en guise de protection contre les tensions transitoires.	0 à 40 V CC max., drain ouvert, 100 mA

Connecteur audio

Connecteurs audio 3,5 mm (stéréo)

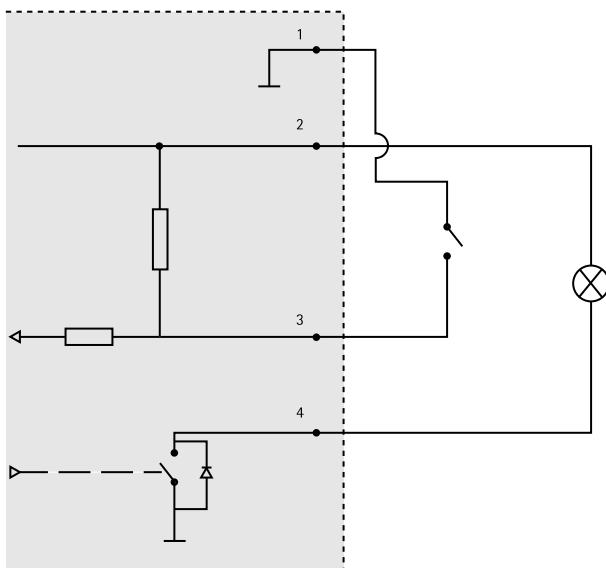


AXIS P33–VE Series Fixed Dome Network Camera

	1 Pointe	2 Anneau	3 Manchon
Entrée audio	Entrée micro/ligne		Masse
Sortie audio	Sortie ligne (mono)		Masse

Schémas de connexion

Connecteur d'E/S



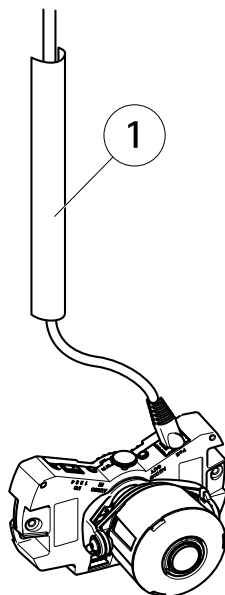
- 1 0 V CC (-)
- 2 Sortie CC 3,3 V, maxi. 50 mA
- 3 Entrée numérique 0 à max. 40 V CC
- 4 Entrée numérique 0 à max. 40 V CC, drain ouvert, max. 100 mA

Installation du matériel

Note

- Cette caméra peut être montée avec les câbles d'alimentation acheminés à travers ou le long du mur.
- Cette caméra peut être dotée d'un conduit métallique pour protéger les câbles en cas d'acheminement des câbles le long du mur.

L'illustration montre un modèle d'intérieur.



1 Conduit métallique (non fourni)

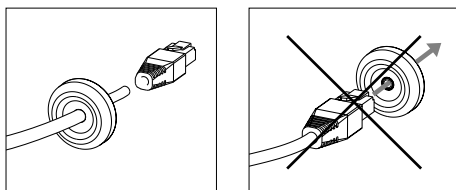
Procédez à l'installation du matériel dans l'ordre suivant :

1. Préparation du câble réseau
2. Remplacement du couvercle de dôme fumé ou non fumé (en option)
3. Acheminement des câbles
4. Installation de la caméra
5. Ajuster la position de l'objectif
6. Réglage de la mise au point et du zoom
7. Fin de l'installation

Préparation du câble réseau

Note

- Ne forcez pas l'entrée du connecteur réseau dans le joint.
- Ne percez pas le joint avec un couteau ou tout autre objet tranchant.



Si vous utilisez un câble autre que celui fourni, il est nécessaire de préparer un câble réseau avec un joint. Faites passer délicatement le câble à travers le joint fourni en le poussant et complétez-le par un connecteur réseau. Il peut être nécessaire de percer un trou dans le joint à l'aide du tournevis Resistorx.

Remplacement du couvercle de dôme fumé ou non fumé (en option)

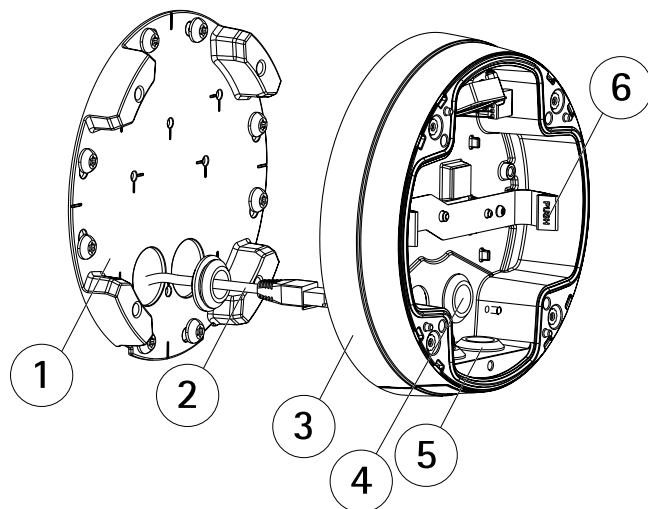
La caméra Axis est fournie avec un dôme en option. Pour remplacer le couvercle du dôme :

1. sous le couvercle du dôme, dévissez les quatre vis qui maintiennent le dôme en place.
2. Remplacez l'ancien dôme par le nouveau. Assurez-vous que le joint en caoutchouc est bien en place et serrez les vis.

Acheminement des câbles

Les câbles peuvent être acheminés des différentes façons suivantes :

- à travers le mur, voir *Route the Cables through the Wall* on page 19
- le long du mur, voir *Préparation du boîtier de l'unité* page 42 et page *Acheminement des câbles le long du mur* page 42.



- 1 Support de fixation
- 2 Câble réseau avec joint
- 3 Boîtier de l'unité
- 4 Joint du mur
- 5 Joint inférieur
- 6 Ressort

Acheminement des câbles à travers le mur

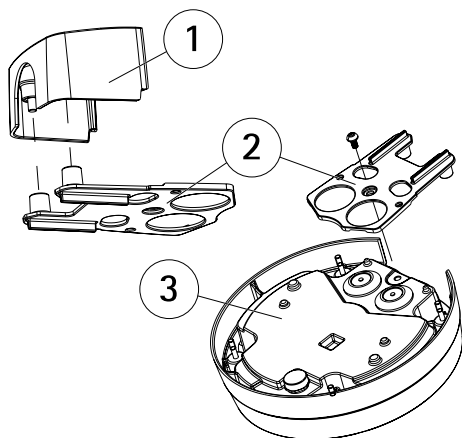
1. Percez quatre trous dans le mur en vous servant du gabarit de perçage.
2. Faites passer le câble réseau et, si nécessaire, les câbles d'E/S et audio à travers le mur et dans les trous du support de fixation.
3. Fixez le support de fixation au mur à l'aide de quatre vis et chevilles appropriées au matériau du mur.
4. Retirez la caméra du boîtier de l'unité en écartant les ressorts.
5. Retirez les joints muraux du boîtier de l'unité. S'il n'y a qu'un seul câble, retirez un seul joint.
6. Acheminez les câbles à travers les trous muraux du boîtier de l'unité.
7. Faites glisser les joints le long des câbles et fixez-les dans les trous. Les joints doivent être parfaitement ajustés aux trous, sans plis ni courbures.
8. Fixez le boîtier de l'unité au support de fixation en serrant les quatre vis.

AXIS P33–VE Series Fixed Dome Network Camera

Préparation du boîtier de l'unité

Si les câbles doivent être acheminés le long du mur, préparez le boîtier de l'unité de la manière suivante :

1. déposez le couvercle latéral du boîtier de l'unité en retirant la vis.
2. Dévissez les deux vis sur la protection de câble et détachez la partie inférieure.
3. Fixez la partie inférieure de la protection de câble au boîtier de l'unité avec la vis.



- 1 *Partie supérieure de la protection de câble (accessoire en option)*
- 2 *Partie inférieure de la protection de câble (accessoire en option)*
- 3 *Boîtier de l'unité*

Acheminement des câbles le long du mur

Note

Pour éviter des problèmes liés à l'humidité, il est recommandé d'acheminer les câbles vers la caméra par le dessous, les trous des câbles dirigés vers le bas.

1. Percez quatre trous dans le mur en vous servant du gabarit de perçage.
2. Fixez le support de fixation au mur en utilisant quatre vis appropriées au matériau du mur.
3. Retirez la caméra du boîtier de l'unité en écartant les ressorts.
4. Retirez les joints inférieurs du boîtier de l'unité. S'il n'y a qu'un seul câble, retirez un seul joint.
5. Posez le boîtier de l'unité sur le support de fixation et fixez-le en serrant les quatre vis.
6. Tirez sur le câble réseau et, si nécessaire, les câbles d'E/S et audio vers le haut pour les faire passer à travers les trous inférieurs de la partie inférieure du boîtier de l'unité.

7. Faites glisser les joints le long des câbles et fixez-les dans les trous. Les joints doivent être parfaitement ajustés aux trous, sans plis ni courbures.
8. Fixez à nouveau la partie supérieure de la protection de câble en serrant les deux vis.

Installation de la caméra

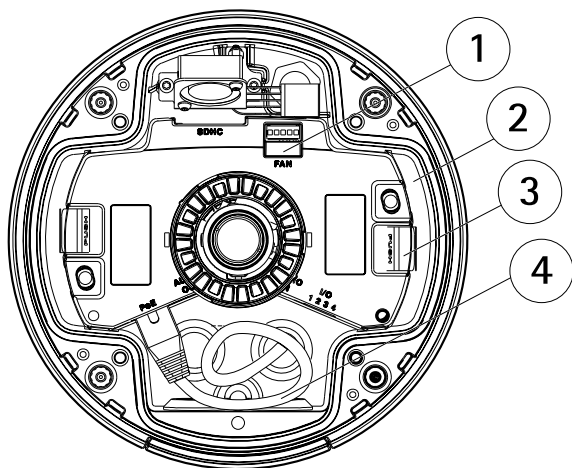
AVIS

Risque de dysfonctionnement du régulateur de chaleur. Assurez-vous que le commutateur placé sous la caméra est en position **HEATER-POE CLASS 3**.

Note

Veuillez à ne pas trop étirer le câble réseau ou à ne pas le tordre inutilement, car cela pourrait l'endommager.

1. Fixez le câble réseau à la caméra ainsi que, si nécessaire, les câble audio et d'E/S. Il est recommandé d'enrouler le câble réseau pour former une boucle, comme indiqué sur la figure ci-dessus.
2. Insérez la carte mémoire SD (en option).
3. Écartez les ressorts du boîtier de l'unité et insérez la caméra jusqu'à ce qu'elle s'encliquette.
4. Fixez le connecteur du ventilateur au connecteur de la caméra.



- 1 *Connecteur de ventilateur*
- 2 *Caméra*
- 3 *Ressort*
- 4 *Câble réseau*

AXIS P33-VE Series Fixed Dome Network Camera

Ajuster la position de l'objectif

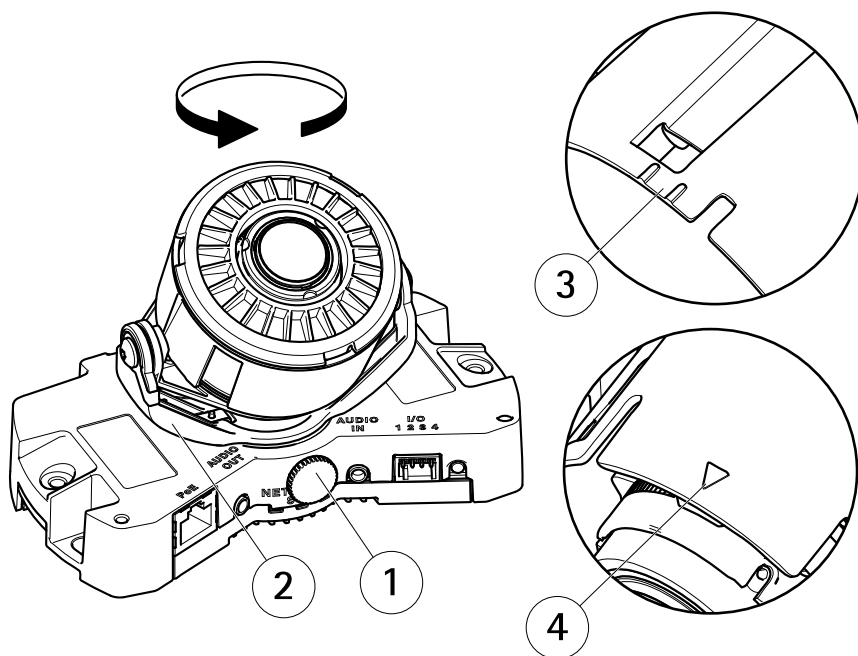
Vous pouvez pivoter l'objectif et l'incliner afin de couvrir une certaine zone d'intérêt et d'ajuster l'image en direct.

Rotation de l'objectif

Note

La marque sur le couvercle de l'objectif est par défaut tournée vers le haut (support mural).

1. Ouvrez la page *Visualisation en direct*, reportez-vous à *Utilisez le produit* page 47.



- 1 Vis de verrouillage
- 2 Porte-objectif
- 3 Marque (forme A)
- 4 Marque (forme B)

2. Dévissez la vis de verrouillage.
3. Consultez la page *Visualisation en direct* et tournez le porte-objectif pour faire tourner l'objectif de 90° ou 180°.

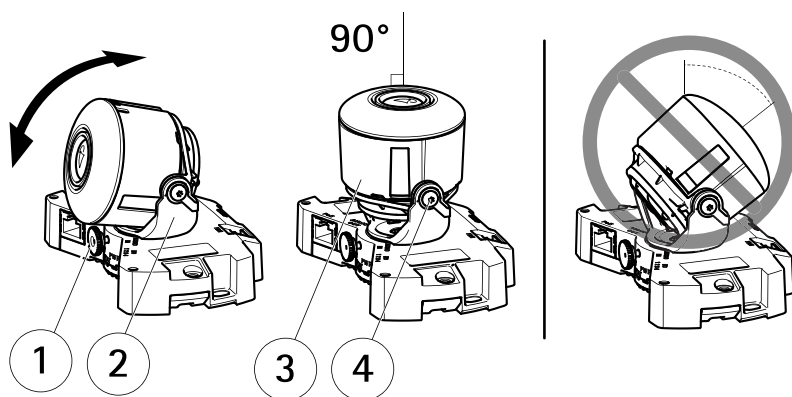
4. Une fois que vous avez terminé, serrez délicatement la vis de verrouillage pour bien maintenir le porte-objectif en position.

Inclinez l'objectif

AVIS

Valable pour les modèles **AXIS P3365-VE/P3367-VE/P3384-VE** : L'objectif ne doit pas être incliné de plus de 90°, cela pourrait endommager le produit. Suivez les instructions ci-dessous.

L'illustration ci-dessous montre une version d'intérieur.



- 1 Vis de verrouillage
- 2 Porte-objectif
- 3 Objectif
- 4 Vis

1. Ouvrez la page **Visualisation en direct**, reportez-vous à *Utilisez le produit* page 47.
2. Dévissez les deux vis.
3. Consultez la page **Visualisation en direct** et inclinez le porte-objectif pour atteindre la position souhaitée.
4. Si l'objectif doit être incliné de plus de 90°, procédez comme suit :
 - Dévissez la vis de verrouillage.
 - Tournez le porte-objectif de 180°.
 - Fixez la vis de verrouillage.
 - Inclinez l'objectif.
5. Serrez les deux vis.

Réglage de la mise au point et du zoom

AVIS

Le réglage manuel de la mise au point et du zoom peut endommager l'objectif.

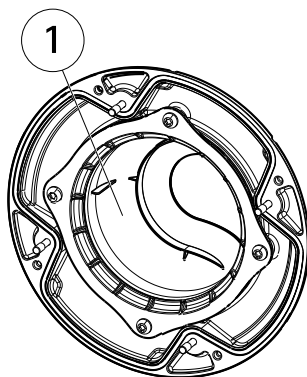
Note

- Du fait de la réfraction du dôme, l'image peut apparaître légèrement floue une fois le dôme installé. Pour corriger ceci, accédez à la page Web Focus Adjustment (Réglage de la mise au point) sous Setup (Configuration) > Basic Setup (Configuration de base) > Focus & Zoom (Mise au point & zoom) et réglez à nouveau la mise au point.

Ouvrez la page Focus Adjustment (Réglage de la mise au point) dans l'interface Web sous Setup (Configuration) > Basic Setup (Configuration de base) > Focus & Zoom (Mise au point & zoom) et suivez les instructions à l'écran. Utilisez la fenêtre d'image pour régler le zoom et la mise au point. Reportez-vous à l'aide en ligne pour plus d'informations.

Fin de l'installation

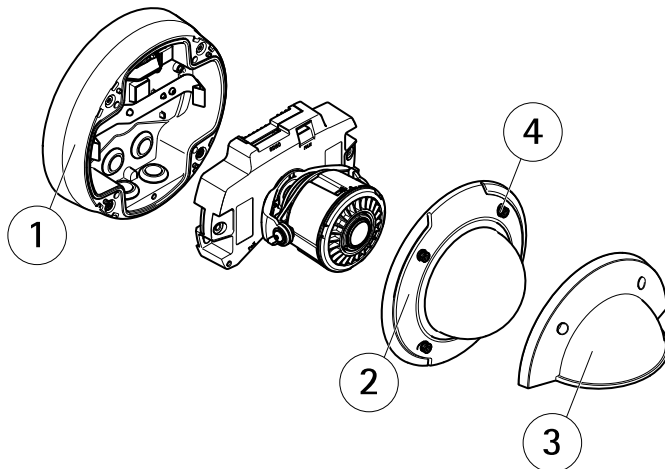
1. Tournez le bouclier noir à l'intérieur du boîtier du dôme de la caméra afin qu'il ne masque pas l'objectif.



1 Bouclier noir

2. Si nécessaire, fixez la protection étanche à la caméra avant de fixer le couvercle du dôme :
 - Retirez les deux vis du couvercle du dôme.
 - Transférez les rondelles des vis aux vis utilisées sur la protection étanche et fixez cette dernière.
3. Assurez-vous que le joint en caoutchouc est correctement placé sur le couvercle du dôme.

4. Nettoyez le dôme à l'aide d'un tissu doux et sec pour en retirer la poussière et les empreintes digitales, et utilisez un souffleur pour épousseter l'objectif.
5. Fixez le couvercle du dôme sur le boîtier de l'unité en serrant les quatre vis.
6. Lorsque le dôme est en place, vérifiez que la mise au point est bonne.



- 1 Boîtier de l'unité
- 2 Couvercle de dôme
- 3 Protection étanche
- 4 Vis et rondelle

L'installation est maintenant terminée.

Utilisez le produit

Si vous souhaitez rechercher des produits Axis sur le réseau ou leur affecter des adresses IP sous Windows®, nous recommandons l'utilisation des applications AXIS IP Utility et AXIS Camera Management. Ces deux applications sont gratuites et peuvent être téléchargées depuis www.axis.com/techsup

Le produit peut être utilisé avec la plupart des systèmes d'exploitation et des navigateurs. Les navigateurs recommandés sont

- Internet Explorer® avec Windows®,
- Safari® avec OS X® et
- Chrome™ ou Firefox® avec les autres systèmes d'exploitation.

AXIS P33–VE Series Fixed Dome Network Camera

Pour plus d'informations concernant l'utilisation du produit, consultez le manuel de l'utilisateur disponible sur le site www.axis.com

Réinitialisation aux paramètres d'usine par défaut

Important

La réinitialisation aux paramètres par défaut doit être utilisée avec prudence. Cette opération reconfigure tous les paramètres, y compris l'adresse IP, aux valeurs d'usine par défaut.

Note

Les logiciels d'installation et de gestion sont disponibles sur les pages d'assistance du site www.axis.com/techsup

Pour réinitialiser l'appareil aux paramètres d'usine par défaut :

1. Déconnectez l'alimentation de l'appareil.
2. Maintenez le bouton de commande enfoncé et remettez l'appareil sous tension. Consultez *Aperçu du matériel page 32*.
3. Maintenez le bouton de commande enfoncé pendant 15 à 30 secondes, jusqu'à ce que le voyant d'état passe à l'orange et clignote.
4. Relâchez le bouton de commande. Le processus est terminé lorsque le voyant d'état passe au vert. Les paramètres d'usine par défaut de l'appareil ont été rétablis. En l'absence d'un serveur DHCP sur le réseau, l'adresse IP par défaut est 192 . 168 . 0 . 90.
5. Utilisez les outils d'installation et de gestion pour attribuer une adresse IP, configurer le mot de passe et accéder au flux de données vidéo.

Il est également possible de rétablir les paramètres d'usine à partir de l'interface Web. Accédez à **Setup > System Options > Maintenance (Configuration > Options du système > Maintenance)**.

Pour obtenir plus de renseignements

Le Manuel de l'utilisateur est disponible à l'adresse suivante : www.axis.com

Consultez le site www.axis.com/techsup pour vérifier si une mise à jour du microprogramme est disponible pour votre appareil réseau. Pour connaître la version du microprogramme actuellement installée, reportez-vous à la page **Setup > About (Configuration > À propos de)**.

Visitez le centre de formation en ligne Axis sur le site www.axis.com/academy pour en savoir plus sur les formations, les webinaires, les tutoriels et les guides.

Informations sur la garantie

Pour obtenir de plus amples informations sur la garantie du produit AXIS et des renseignements connexes, allez sur le site www.axis.com/warranty/

Sicherheitsinformation

Lesen Sie das Installationshandbuch sorgfältig durch bevor sie das Produkt installieren. Bewahren Sie das Installationshandbuch für zukünftige Zwecke auf.

Gefährdungsstufen

▲GEFAHR

Weist auf eine gefährliche Situation hin, die, falls nicht verhindert, zu Tod oder schweren Verletzungen führt.

▲WARNUNG

Weist auf eine gefährliche Situation hin, welche, falls nicht verhindert, zu Tod oder schweren Verletzungen führen kann.

▲VORSICHT

Weist auf eine gefährliche Situation hin, welche, falls nicht verhindert, zu geringfügiger oder mäßiger Verletzung führen kann.

HINWEIS

Weist auf eine gefährliche Situation hin, welche, falls nicht verhindert, zu Sachschäden führen kann.

Weitere Nachrichtestufen

Wichtig

Weist auf wichtige Informationen hin, die den richtigen Betrieb des Produkts gewährleisten.

Beachten

Weist auf nützliche Informationen hin, die die optimale Verwendung des Produkts unterstützen.

Sicherheitsanweisungen

HINWEIS

- Die Anwendung des Axis Produkts muss unter Beachtung der örtlich geltenden rechtlichen Bestimmungen erfolgen.
- Lagern Sie das Axis Produkt in einer trockenen und belüfteten Umgebung.
- Achten Sie darauf, dass das Axis Produkt weder Stößen noch starkem Druck ausgesetzt ist.
- Installieren Sie das Produkt nicht an instabilen Halterungen, Oberflächen oder Wänden.
- Verwenden Sie bei der Installation des Axis Produkts ausschließlich passende Werkzeuge. Ein zu großer Kraftaufwand mit elektrischen Werkzeugen kann das Produkt beschädigen.
- Verwenden Sie keine chemischen, ätzenden oder aerosolhaltigen Reinigungsmittel.
- Verwenden Sie zum Reinigen ein sauberes, mit lauwarmem Wasser angefeuchtetes Tuch.
- Verwenden Sie nur Zubehör, das den technischen Daten des Produkts entspricht. Dieses ist von Axis oder Drittanbietern erhältlich.
- Verwenden Sie ausschließlich Ersatzteile die von Axis bereitgestellt oder empfohlen werden.
- Versuchen Sie nicht, das Produkt selbstständig zu reparieren. Wenden Sie sich bezüglich Reparatur und Wartung an den Axis Support oder Ihren Axis Händler.

Transport

HINWEIS

- Bei Bedarf transportieren Sie das Axis Produkt in der Originalverpackung oder einer entsprechenden Verpackung, so dass Schäden vermieden werden.

Batterie

Das Axis-Produkt ist mit einer 3,0 V-BR/CR2032-Lithium-Batterie ausgestattet, mit der die interne Echtzeituhr (RTC) versorgt wird. Unter normalen Bedingungen hat die Batterie eine Lebensdauer von mindestens fünf Jahren.

Bei entladener Batterie ist der Betrieb der Echtzeituhr nicht mehr gewährleistet, sodass die Uhr bei jedem Systemstart zurückgesetzt wird. Sie erhalten eine Protokollnachricht im Serverbericht des Produkts, wenn ein Batteriewechsel erforderlich ist. Weitere Informationen über den Serverbericht finden Sie auf den Setup-Seiten des Produkts, oder wenden Sie sich an den Axis Support.

Die Batterie sollte nur bei Bedarf ersetzt werden. Wenden Sie sich in diesem Fall an den Axis Support unter www.axis.com/techsup.

⚠WARNUNG

- Explosionsgefahr bei fehlerhaftem Batteriewechsel.
- Die Batterie darf nur durch eine identische Batterie oder eine von Axis empfohlene Batterie ersetzt werden.
- Verbrauchte Batterien sind gemäß den örtlichen Vorschriften oder den Anweisungen des Herstellers zu entsorgen.

Kuppelabdeckung

HINWEIS

- Achten Sie darauf die Kuppelabdeckung weder zu zerkratzen, zu beschädigen oder darauf Fingerabdrücke zu hinterlassen, da dies die Bildqualität beeinträchtigen kann. Falls möglich entfernen Sie die Schutzfolie erst nachdem die Installation abgeschlossen ist.
- Säubern Sie niemals eine Kuppelabdeckung, wenn diese sauber erscheint, und polieren Sie keinesfalls die Oberfläche. Zu häufiges Säubern kann die Oberfläche beschädigen.
- Für die normale Reinigung der Kuppelabdeckung werden eine nicht-scheuernde, lösungsmittelfreie neutrale Seife oder ein entsprechendes Reinigungsmittel mit destilliertem Wasser und ein sauberer, weicher Lappen empfohlen. Spülen Sie die Kuppelabdeckung gründlich mit lauwarmem destilliertem Wasser ab. Trocknen Sie die Kuppelabdeckung mit einem weichen, sauberen Lappen, um Wasserflecken zu vermeiden.
- Verwenden Sie niemals starke Reinigungsmittel, Benzin, Benzol oder Aceton etc. und vermeiden Sie, die Kuppelabdeckung im direkten Sonnenlicht oder bei erhöhten Temperaturen zu säubern.

Installationsanleitung

In dieser Anleitung wird die Installation der Netzwerk-Kameras AXIS P3364–VE/P3365–VE/AXIS P3367–VE/AXIS P3384–VE in Ihrem Netzwerk beschrieben. Weitere Informationen zur Verwendung dieses Produkts finden Sie im Benutzerhandbuch unter www.axis.com.

Installationschritte

1. Stellen Sie sicher, dass die Packungsinhalte, Werkzeuge und andere notwendige Materialien für die Installation in Ordnung sind. Siehe *Seite 55*.
2. Machen Sie sich mit der Hardware-Übersicht vertraut. Siehe *Seite 56*.
3. Machen Sie sich mit den technischen Daten vertraut. Siehe *Seite 60*.
4. Installieren Sie die Hardware. Siehe *Seite 63*.
5. Zugriff auf das Produkt. Siehe *Seite 73*.

Lieferumfang

- AXIS P3364–VE/P3365–VE/P3367–VE/P3384–VE Unbewegliche Dome-Netzwerk-Kamera
- 5-m-Netzwerkabel mit Dichtung
- Anschluss-Kit
- Resitorx-Schraubendreher
- Getönte Kuppelabdeckung mit Dichtung
- Montagehalterung
- Wetterschutz
- Gedruckte Dokumente
 - Installationsanleitung (dieses Dokument)
 - Bohrschablone
 - Zusätzliche Etiketten mit der Seriennummer (2x)
 - AVHS-Authentifizierungsschlüssel

Optionales Zubehör

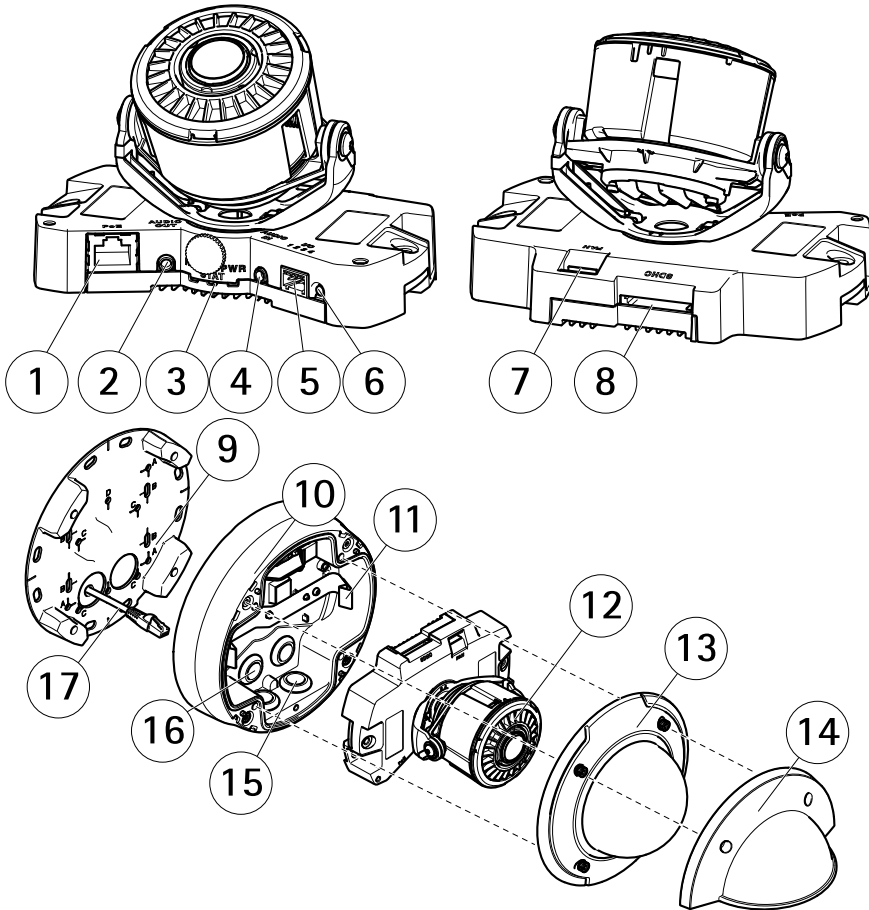
- Decoder-Lizenzpaket für mehrere Benutzer
- AXIS T8414-Installationsmonitor
- AXIS PoE-Midspans
- AXIS T90B-Leuchten
- Montagesatz für abgehängte Decken der Klasse IP51
- Hängemontage-Satz

AXIS P33-VE Series Fixed Dome Network Camera

- Kabelabdeckung
- Hängemontage-Satz mit Wetterschutz
- Audio-E/A-Kabel mit vormontierter Dichtung

Unter www.axis.com finden Sie Informationen über verfügbares Zubehör.

Übersicht über die Hardware

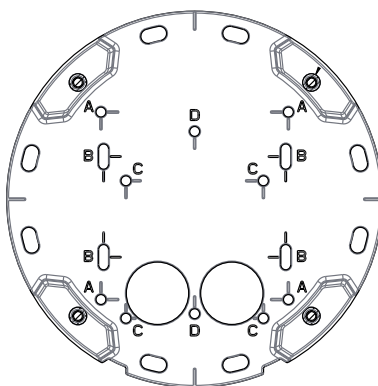


- 1 Netzwerkanschluss
- 2 Audioausgang
- 3 LED-Anzeigen (Netzwerk, Status, Stromversorgung)

- 4 Audioeingang
- 5 E/A-Anschluss
- 6 Steuertaste
- 7 Lüfteranschluss
- 8 SD-Kartensteckplatz
- 9 Montagehalterung
- 10 Kameragehäuse
- 11 Feder
- 12 Kameraheizelement
- 13 Kuppelabdeckung
- 14 Wetterschutz
- 15 Untere Bohrungen
- 16 Seitliche Bohrungen
- 17 Netzwerkkabel

Montagehalterung

Die Montagehalterung besitzt 4 Montagemuster (A, B, C, D).



Die Montagemuster folgen der Norm für die folgenden Montageoptionen:

- A: Quadratische 4"-Anschlussdose
- B: Standard-US-Doppelverteilerdose
- C: Achteckige 4"-Anschlussdose
- D: Standard-US-Anschlussdose

AXIS P33–VE Series Fixed Dome Network Camera

LEDs

Beachten

- Die Status-LED kann so eingestellt werden, dass sie während des Normalbetriebs nicht leuchtet. Diese Konfiguration können Sie unter **Setup > System Options > Ports & Devices > LED (Setup > Systemoptionen > Ports und Geräte > LED)** einstellen. Weitere Informationen finden Sie in der Online-Hilfe.
- Die Status-LED kann so eingestellt werden, dass sie blinkt, wenn ein Ereignis aktiv ist.
- Die Status-LED kann so eingestellt werden, dass sie blinkt, wenn die Einheit erkannt wird. Rufen Sie **Setup > System Options > Maintenance (Einrichtung > Systemoptionen > Wartung)** auf.

Status-LED	Bedeutung
Grün	Leuchtet bei Normalbetrieb grün.
Gelb	Leuchtet beim Start und beim Wiederherstellen der Einstellungen.
Rot	Blinkt rot bei einem Fehler während der Firmware-Aktualisierung.

Netzwerk-LED	Bedeutung
Grün	Leuchtet bei Verbindung mit einem 100 MBit/s-Netzwerk. Blinkt bei Netzwerkaktivität.
Gelb	Leuchtet bei Verbindung mit einem 10 MBit/s-Netzwerk. Blinkt bei Netzwerkaktivität.
Leuchtet nicht	Keine Netzwerkverbindung vorhanden.

Netz-LED	Bedeutung
Grün	Normaler Betrieb.
Gelb	Blinkt grün/gelb bei der Firmware-Aktualisierung.

Anschlüsse und Tasten

Für die technischen Daten und Betriebsbedingungen siehe *Seite 60*.

Netzwerkanschluss

RJ-45-Ethernetanschluss mit Power over Ethernet (PoE).

HINWEIS

Aufgrund örtlicher Vorschriften oder der Umgebungsbedingungen und elektrischen Bedingungen, unter denen das Produkt verwendet wird, kann ein abgeschirmtes Netzkabel (STP) empfehlenswert oder notwendig sein. Alle Netzkabel des Produkts, die im Außenbereich oder in schwierigen elektrischen Umgebungen verlegt werden, müssen hierfür ausgelegt sein. Stellen Sie sicher, dass die Netzwerkgeräte gemäß den Anweisungen des Herstellers installiert wurden. Informationen zu gesetzlichen Bestimmungen finden Sie unter *Electromagnetic Compatibility (EMC) on page 2*.

E/A-Anschluss

Zur Verwendung mit externen Geräten wie zum Beispiel in Verbindung mit Manipulationsalarmen, Bewegungserkennung, Ereignisauslösung, Zeitrafferaufnahmen und Alarmbenachrichtigungen. Abgesehen vom 0 V DC-Bezugspunkt und Strom (Gleichstromausgang) verfügt die E/A-Klemmenleiste über eine Schnittstelle zu:

- **Digitalausgang** – zum Anschluss externer Geräte wie Relais und LEDs. Angeschlossene Geräte können über die VAPIX® Application Programming Interface (Programmierschnittstelle) mit den Schaltflächen für den Ausgang auf der Seite „Live View“ oder durch eine Aktionsregel aktiviert werden. Der Ausgang wird als aktiv (siehe **System Options > Ports & Devices** (Systemoptionen > Anschlüsse & Geräte)) angezeigt, wenn das Alarmmeldegerät aktiviert ist.
- **Digitaleingang** – Alarmeinang für den Anschluss von Geräten, die zwischen geöffnetem und geschlossenem Schaltkreis wechseln können, z. B.: PIR-Sensoren, Tür-/Fensterkontakte, Glasbruchmelder usw. Bei Empfang eines Signals ändert sich der Status und der Eingang wird aktiviert (siehe **System Options > Ports & Devices** (Systemoptionen > Anschlüsse & Geräte)).

Audioanschlüsse

Das Axis-Produkt ist mit den folgenden Audioanschlüssen ausgestattet:

- **Audioeingang (rosa)** – 3,5-mm-Anschluss für ein Monomikrofon oder ein Monosignal.
- **Audioausgang (grün)** – 3,5-mm-Audioausgang (Leitungspegel) zum Anschließen einer Rundrufanlage (PA) oder eines Aktivlautsprechers mit integriertem Verstärker. Für den Audioausgang muss ein Stereostecker verwendet werden.

Beim Audioeingang wird der linke Kanal von einem Stereosignal benutzt.

AXIS P33–VE Series Fixed Dome Network Camera

SD-Kartensteckplatz

HINWEIS

- Gefahr von Schäden an der SD-Karte. Verwenden Sie beim Einlegen oder Entfernen der SD-Karte keine scharfen/spitzen Werkzeuge und wenden Sie nicht zu viel Kraft an.
- Gefahr vor Datenverlust. Um einer Beschädigung der Aufnahmen vorzubeugen, sollte die SD-Karte vor dem mechanischen Auswerfen getrennt werden. Rufen Sie zum Trennen Setup > System Options > Storage > SD Card (Einrichtung > Systemoptionen > Speicher > SD-Karte) auf und klicken Sie auf Unmount (Trennen).

Dieses Produkt unterstützt SD-/SDHC-/SDXC-Karten (separat erhältlich).

Empfehlungen zu SD-Karten finden Sie unter www.axis.com.

Steuertaste

Die Position der Steuertaste finden Sie unter: *Übersicht über die Hardware auf Seite 56.*

Die Steuertaste hat folgende Funktionen:

- Zurücksetzen des Produkts auf die Werkseinstellungen. Siehe *Seite 74.*
- Verbinden mit einem AXIS Video Hosting System-Service oder einem AXIS Internet Dynamic DNS-Service. Weitere Informationen zu diesen Diensten finden Sie in der Bedienungsanleitung.

Technische Daten

Betriebsbedingungen

Das Axis Produkt ist für die Verwendung im Freien konzipiert.

Produkt	Klassifikation	Temperatur	Luftfeuchtigkeit
AXIS P3364–VE AXIS P3365–VE AXIS P3367–VE AXIS P3384–VE	IEC 62262 IK10 NEMA 250 Typ 4X	-40 °C bis 55 °C	10–100 % rF (kondensierend)

Stromverbrauch

HINWEIS

Risiko einer Fehlfunktion des Heizelements. Stellen Sie sicher, dass der Schalter an der Kameraunterseite auf HEATER-POE CLASS 3 eingestellt ist.

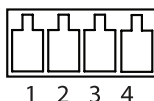
Produkt	PoE
AXIS P3364–VE AXIS P3365–VE AXIS P3367–VE AXIS P3384–VE	Power over Ethernet (PoE) IEEE 802.3af/802.3at Typ 1 Klasse 3

Anschlüsse

E/A-Anschluss

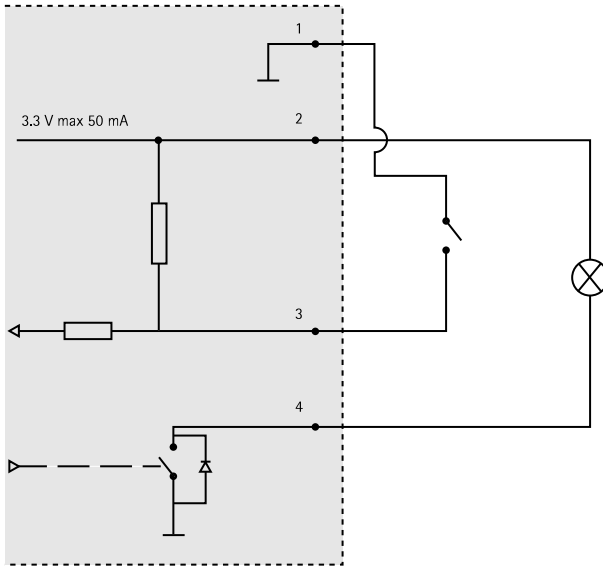
4-poliger Anschlussblock für:

- Zusatzstromversorgung (Gleichstromausgang)
- Digitaleingang
- Digitalausgang
- 0 V DC (-)



Funktion	Kontakt	Hinweise	Technische Daten
0 V DC (-)	1		0 V DC
Gleichstromausgang	2	Kann für die Stromversorgung von Zusatzgeräten verwendet werden. Hinweis: Dieser Kontakt kann nur für den Stromausgang verwendet werden.	3,3 V DC Max. Stromstärke = 50 mA
Digitaleingang	3	Zum Aktivieren mit Pin 1 verbinden; zum Deaktivieren nicht anschließen.	0 bis max. 40 V DC
Digitalausgang	4	Bei Aktivierung mit Pin 1 verbunden; wenn deaktiviert: frei (nicht verbunden). Bei Verwendung mit einer induktiven Last, z. B. einem Relais, muss parallel zur Last zum Schutz vor Spannungsspitzen eine Diode zwischengeschaltet werden.	0 bis max. 40 V DC, Open Drain, 100 mA

AXIS P33-VE Series Fixed Dome Network Camera



Audioanschlüsse

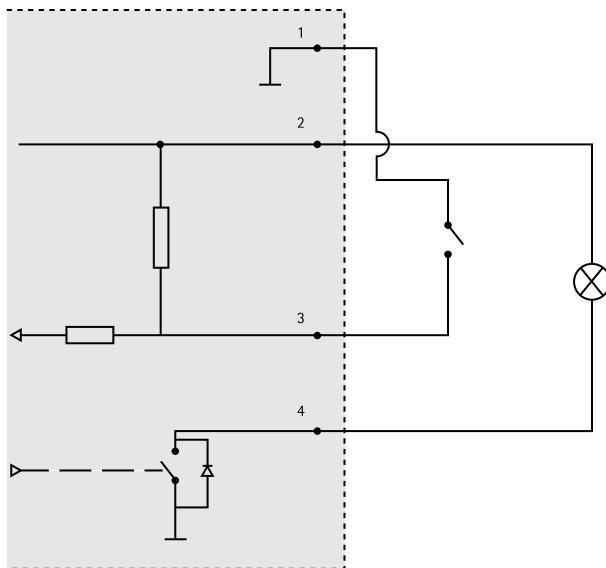
3,5-mm-
Audioanschlüsse
(stereo)



	1 Spitze	2 Ring	3 Schaft
Audioeingang	Mikrofon-/Leitungseingang		Masse
Audioausgang	Leitungsausgang (mono)		Masse

Anschlusschaltbilder

E/A-Anschluss



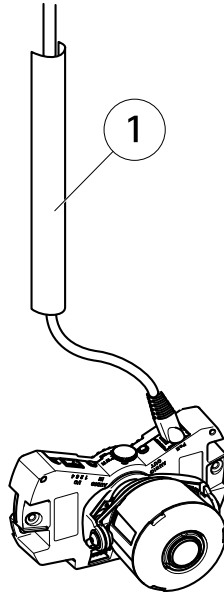
- 1 0 V DC (-)
- 2 DC-Ausgang 3,3 V, max. 50 mA
- 3 Digitaleingang 0 bis max. 40 V DC
- 4 Digitalausgang 0 bis max. 40 V DC, Open Drain, 100 mA

Installieren der Hardware

Beachten

- Bei der Montage dieses Axis Produkts können Sie die Kabel entweder durch die Wand oder entlang der Wand führen.
- Sie können die Netzwerk-Kamera mit einer Kabelführung aus Metall zum Schutz der Kabel ausstatten, wenn die Kabel an der Wand entlang geführt werden.

Die Abbildung zeigt ein Modell für Innenräume.



1 Kabelführung aus Metall (nicht enthalten)

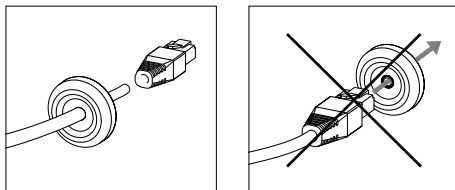
Führen Sie die Hardwareinstallation in folgender Reihenfolge durch:

1. *Vorbereiten des Netzkabels*
2. *Austauschen der klaren/getönten Kuppelabdeckung (optional)*
3. *Verlegen der Kabel*
4. *Installieren der Kameraeinheit*
5. *Einstellen der Objektivposition*
6. *Einstellen von Fokus und Zoom*
7. *Abschluss der Installation*

Vorbereiten des Netzkabels

Beachten

- Versuchen Sie nicht, den Netzwerkstecker durch die Dichtung zu führen.
- Stechen Sie nicht mit einem Messer oder einem anderen scharfen Gegenstand in die Dichtung.



Falls ein anderes als das mitgelieferte Kabel verwendet wird, müssen Sie ein Netzwerkkabel mit einer Dichtung vorbereiten. Führen Sie das Kabel vorsichtig durch die mitgelieferte Dichtung und bringen Sie einen Netzwerkstecker am Kabel an. Möglicherweise müssen Sie mit dem Resitorx-Schraubendreher ein Loch in die Dichtung stechen.

Austauschen der klaren/getönten Kuppelabdeckung (optional)

Das Axis Produkt wird mit einer optionalen Kuppel geliefert. So tauschen Sie die Kuppelabdeckung aus:

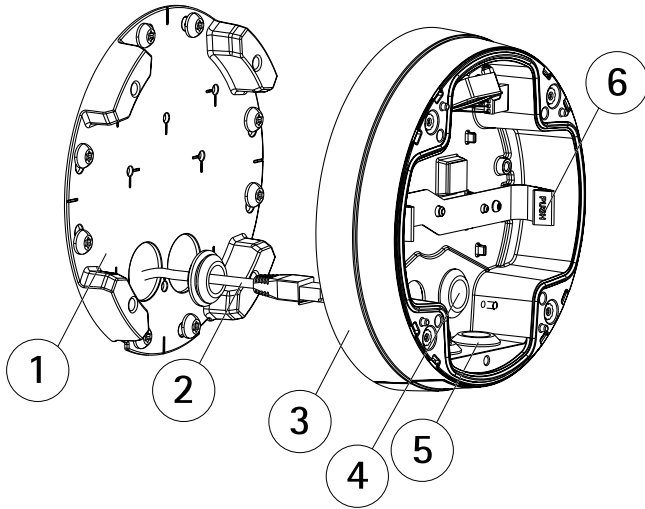
1. Lösen Sie die vier Schrauben unter der Kuppelabdeckung, die die Kuppel an ihrer Position halten.
2. Tauschen Sie die alte Kuppel gegen die neue aus. Stellen Sie sicher, dass die Gummidichtung richtig sitzt und ziehen Sie die Schrauben an.

Verlegen der Kabel

Die Kabel können auf folgende Arten verlegt werden:

- Durch die Wand, siehe *Verlegen der Kabel durch die Wand auf Seite 66*.
- Entlang der Wand, siehe *Vorbereiten des Kameragehäuses auf Seite 67* und *Seite Verlegen der Kabel entlang der Wand auf Seite 67*.

AXIS P33–VE Series Fixed Dome Network Camera



- 1 Montagehalterung
- 2 Netzwirkabel mit Dichtung
- 3 Kameragehäuse
- 4 Wanddichtung
- 5 Untere Dichtung
- 6 Feder

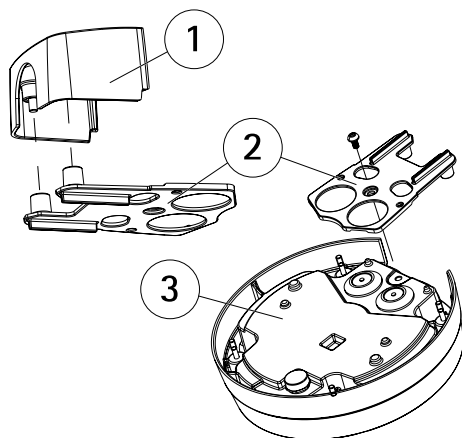
Verlegen der Kabel durch die Wand

1. Bohren Sie mithilfe der Bohrschablone vier Löcher in die Wand.
2. Führen Sie das Netzwirkabel sowie bei Bedarf das E/A- bzw. Audiokabel durch die Wand und durch die Löcher in der Halterung.
3. Befestigen Sie die Montagehalterung mit vier Schrauben und Dübeln an der Wand.
4. Entfernen Sie die Kameraeinheit aus dem Kameragehäuse, indem Sie die Federn auseinander drücken.
5. Entfernen Sie die Wanddichtungen von den Seitenlöchern im Kameragehäuse. Falls nur ein Kabel vorhanden ist, entfernen Sie nur eine Dichtung.
6. Führen Sie die Kabel durch die Wandlöcher im Kameragehäuse nach oben.
7. Ziehen Sie die Dichtungen an den Kabeln entlang und drücken Sie sie in die Löcher. Die Dichtungen müssen ohne Falten oder Krümmungen fest in den Löchern sitzen.
8. Befestigen Sie das Kameragehäuse an der Halterung, indem Sie die vier Schrauben anziehen.

Vorbereiten des Kameragehäuses

Wenn die Kabel an der Wand entlang geführt werden sollen, bereiten Sie das Kameragehäuse wie folgt vor:

1. Nehmen Sie die am Kameragehäuse befestigte Seitenabdeckung ab, indem Sie die Schraube entfernen.
2. Lösen Sie die beiden Schrauben an der Kabelabdeckung und nehmen Sie den unteren Teil ab.
3. Befestigen Sie den unteren Teil der Kabelabdeckung mit der Schraube am Kameragehäuse.



- 1 Obere Kabelabdeckung (optionales Zubehör)
- 2 Untere Kabelabdeckung (optionales Zubehör)
- 3 Kameragehäuse

Verlegen der Kabel entlang der Wand

Beachten

Zur Vermeidung feuchtigkeitsbedingter Probleme wird empfohlen, die Kabel von unten zur Kamera zu führen, wobei die Kabellöcher nach unten zeigen.

1. Bohren Sie mithilfe der Bohrschablone vier Löcher in die Wand.
2. Befestigen Sie die Montagehalterung mit vier geeigneten Schrauben an der Wand.
3. Entfernen Sie die Kameraeinheit aus dem Kameragehäuse, indem Sie die Federn zur Seite drücken.
4. Entfernen Sie die Dichtungen aus dem Boden des Kameragehäuses. Falls nur ein Kabel vorhanden ist, entfernen Sie nur eine Dichtung.

AXIS P33–VE Series Fixed Dome Network Camera

5. Setzen Sie das Kameragehäuse auf die Halterung und befestigen Sie es, indem Sie die vier Schrauben anziehen.
6. Führen Sie das Netzkabel sowie bei Bedarf das E/A- bzw. Audiokabel durch die Löcher im Boden nach oben in das Kameragehäuse.
7. Ziehen Sie die Dichtungen an den Kabeln entlang und drücken Sie sie in die Löcher. Die Dichtungen müssen ohne Falten oder Krümmungen fest in den Löchern sitzen.
8. Bringen Sie den oberen Teil der Kabelabdeckung wieder an, indem Sie die beiden Schrauben anziehen.

Installieren der Kameraeinheit

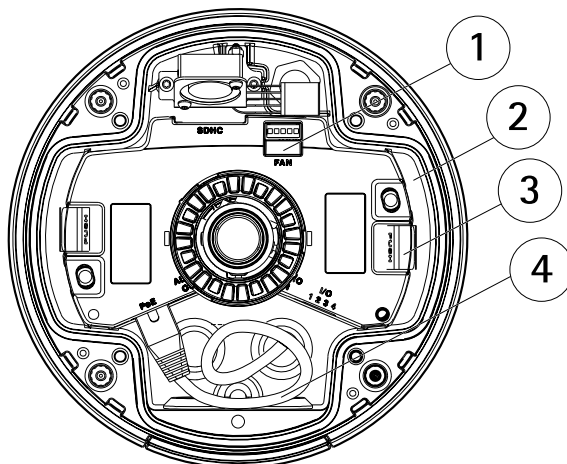
HINWEIS

Risiko einer Fehlfunktion des Heizelements. Stellen Sie sicher, dass der Schalter unter der Kamera auf `HEATER-POE CLASS 3` eingestellt ist.

Beachten

Das Netzkabel darf nicht zu sehr gespannt oder geknickt werden, da dies das Kabel beschädigen kann.

1. Schließen Sie das Netzkabel sowie bei Bedarf das Kabel für Audio und E/A an die Kameraeinheit an. Es wird empfohlen, das Netzkabel wie in der Abbildung gezeigt zu einer Schlaufe zu legen.
2. Setzen Sie die SD-Speicherkarte ein (optional).
3. Ziehen Sie die Federn im Kameragehäuse zur Seite und setzen Sie die Kameraeinheit so ein, dass sie in ihrer Position einrastet.
4. Schließen Sie den Stecker des Lüfters am Lüfteranschluss in der Kameraeinheit an.



- 1 Lüfteranschluss
- 2 Kameraeinheit
- 3 Feder
- 4 Netzwirkkabel

Einstellen der Objektivposition

Das Objektiv kann gedreht und gekippt werden, sodass ein ausgewählter Bereich als Live-Bild dargestellt wird.

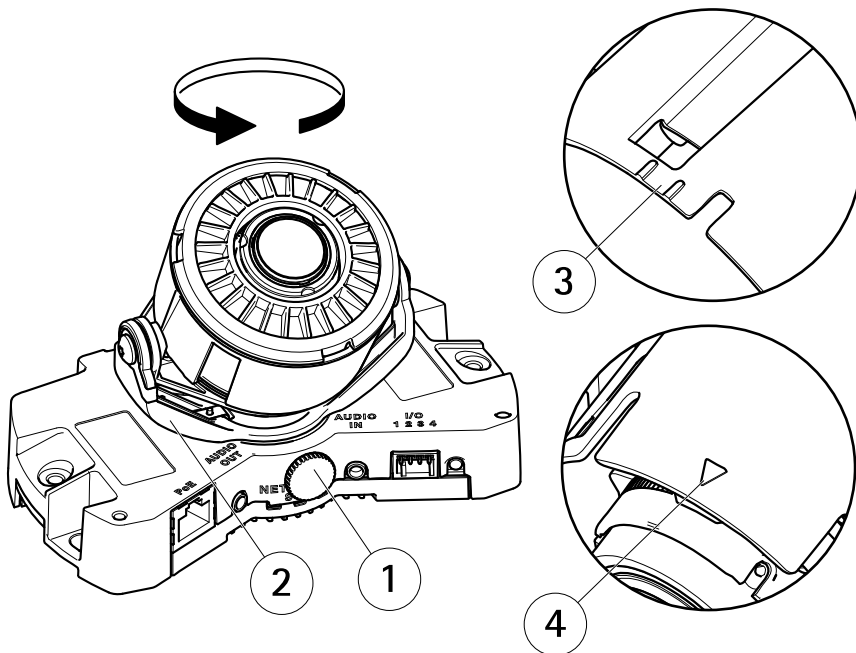
Drehen des Objektivs

Beachten

Die Markierung auf der Objektivabdeckung weist standardmäßig nach oben (Wandmontage).

1. Öffnen Sie die Seite **Live View (Live-Ansicht)**, siehe *Access the Product on page 25*.

AXIS P33-VE Series Fixed Dome Network Camera



- 1 Feststellschraube
- 2 Objektivhalter
- 3 Markierung (Ausführung A)
- 4 Markierung (Ausführung B)

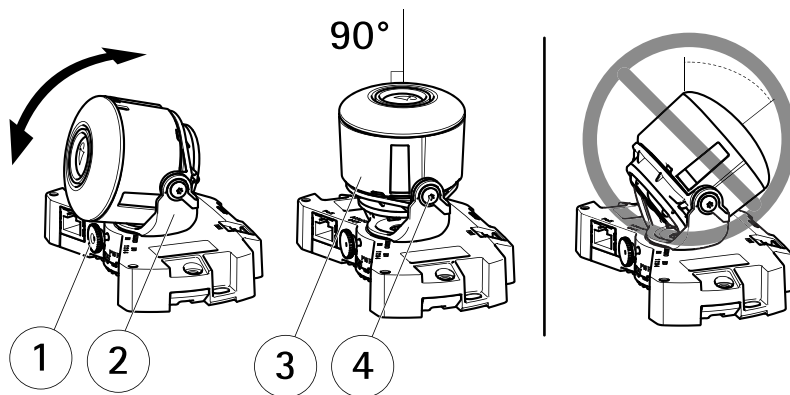
2. Lösen Sie die Feststellschraube.
3. Überprüfen Sie die Seite Live View (Live-Ansicht) und drehen Sie den Objektivhalter und damit das Objektiv auf 90° bzw. 180°.
4. Wenn die richtige Ausrichtung erreicht ist, schrauben Sie die Feststellschraube vorsichtig wieder fest, um den Objektivhalter zu arretieren.

Neigen des Objektivs

HINWEIS

Gilt für AXIS P3365-VE/P3367-VE/P3384-VE: Das Objektiv darf nicht mehr als 90° geneigt werden, andernfalls kann das Produkt beschädigt werden. Befolgen Sie dazu die folgenden Anweisungen.

Die folgende Abbildung zeigt ein Modell für Innenräume.



- 1 Feststellschraube
- 2 Objektivhalter
- 3 Objektiv
- 4 Schrauben

1. Öffnen Sie die Seite **Live View (Live-Ansicht)**, siehe *Access the Product* on page 25.
2. Lösen Sie die beiden Schrauben.
3. Überprüfen Sie die Seite **Live View (Live-Ansicht)** und neigen Sie das Objektiv in die gewünschte Position.
4. Gehen Sie wie folgt vor, wenn eine Neigung von mehr als 90° erforderlich ist:
 - Lösen Sie die Feststellschraube.
 - Drehen Sie den Objekthalter um 180°.
 - Ziehen Sie die Feststellschraube an.
 - Neigen Sie das Objektiv.
5. Ziehen Sie die beiden Schrauben an.

Einstellen von Fokus und Zoom

HINWEIS

Durch das manuelle Einstellen von Fokus und Zoom kann das Objektiv beschädigt werden.

Beachten

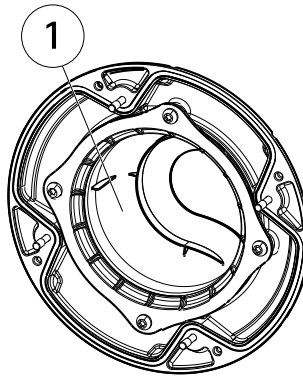
- Aufgrund der Lichtbrechungen auf der Glasoberfläche kann das Bild leicht unscharf erscheinen, nachdem die Kuppel installiert wurde. Sie können dies korrigieren, indem Sie auf der Webseite „Focus Adjustment“ (Fokus einstellen) unter **Setup (Einrichtung)** > **Basic Setup (Grundeinstellungen)** > **Focus & Zoom (Fokus und Zoom)** den Fokus erneut anpassen.

AXIS P33–VE Series Fixed Dome Network Camera

Öffnen Sie über die Weboberfläche unter **Setup (Einrichtung) > Basic Setup (Grundeinstellungen) > Focus & Zoom (Fokus und Zoom)** die Seite **Focus Adjustment (Fokus einstellen)** und befolgen Sie die Bildschirmanweisungen. Stellen Sie mit dem Bildfenster Fokus und Zoom ein. Weitere Informationen hierzu finden Sie in der Online-Hilfe.

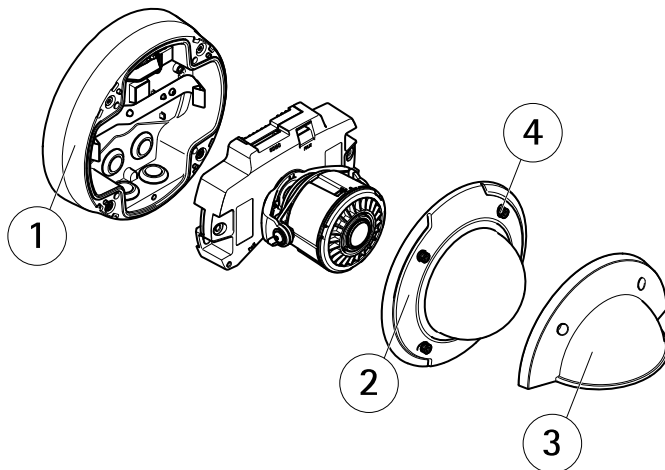
Abschluss der Installation

1. Bringen Sie das schwarze Schild in der Kuppel so an, dass es das Objektiv nicht verdeckt.



1 *Schwarzes Schild*

2. Befestigen Sie bei Bedarf den Wetterschutz an der Kamera, bevor Sie die Kuppelabdeckung anbringen.
 - Entfernen Sie die beiden Schrauben in der Kuppelabdeckung.
 - Nehmen Sie die Unterlegscheiben von den Schrauben ab, die am Wetterschutz angebracht sind, und bringen Sie den Wetterschutz an.
3. Vergewissern Sie sich, dass die Gummidichtung fest an der Kuppelabdeckung angebracht ist.
4. Entfernen Sie Fingerabdrücke und Staub von der Glasoberfläche mit einem trockenen, weichen Tuch. Blasen Sie Staub ggf. mit Druckluft von der Linse.
5. Befestigen Sie die Kuppelabdeckung am Kameragehäuse, indem Sie die vier Schrauben anziehen.
6. Wenn die Kuppelabdeckung angebracht ist, vergewissern Sie sich, dass der Fokus richtig eingestellt ist.



- 1 Kameragehäuse
- 2 Kuppelabdeckung
- 3 Wetterschutz
- 4 Schraube und Unterlegscheibe

Die Installation ist damit abgeschlossen.

Zugriff auf das Produkt

Für die Suche nach Axis Produkten im Netzwerk und zur Zuweisung einer IP-Adresse unter Windows® werden AXIS IP Utility und AXIS Camera Management empfohlen. Beide Anwendungen sind kostenlos und können von unserer Website unter www.axis.com/techsup heruntergeladen werden.

Das Produkt ist mit den meisten Standard-Betriebssystemen und Browsern kompatibel. Empfohlen werden die Browser

- Internet Explorer® unter Windows®
- Safari® unter OS X® und
- Chrome™ oder Firefox® unter anderen Betriebssystemen.

Weitere Informationen zur Nutzung dieses Produkts finden Sie im Benutzerhandbuch unter www.axis.com.

Zurücksetzen auf Werkseinstellungen

Wichtig

Das Zurücksetzen auf die Werkseinstellungen sollte mit Vorsicht verwendet werden. Beim Zurücksetzen auf die Werkseinstellungen werden alle Einstellungen einschließlich der IP-Adresse auf die Werkseinstellungen zurückgesetzt.

Beachten

Die Software-Tools für Installation und Verwaltung sind über die Supportseiten unter www.axis.com/techsup verfügbar.

So wird das Produkt auf die Werkseinstellungen zurückgesetzt:

1. Trennen Sie das Produkt von der Stromversorgung.
2. Halten Sie die Steuertaste gedrückt und stecken Sie den Netzstecker wieder ein. Siehe *Übersicht über die Hardware auf Seite 56*.
3. Halten Sie die Steuertaste etwa 15 bis 30 Sekunden gedrückt, bis die LED-Statusanzeige gelb blinkt.
4. Lassen Sie die Steuertaste los. Der Vorgang ist abgeschlossen, wenn die LED-Statusanzeige grün leuchtet. Das Produkt wurde auf die Werkseinstellungen zurückgesetzt. Wenn kein DHCP-Server im Netzwerk verfügbar ist, lautet die Standard-IP-Adresse 192.168.0.90.
5. Verwenden Sie die Software-Tools für Installation und Verwaltung, um eine IP-Adresse zuzuweisen, ein Kennwort einzurichten und auf den Videostream zuzugreifen.

Die Parameter können auch über die Weboberfläche auf die Werkseinstellungen zurückgesetzt werden. Rufen Sie **Setup > System Options > Maintenance (Setup > Systemoptionen > Wartung)** auf.

Weitere Informationen

Das Benutzerhandbuch finden Sie unter www.axis.com.

Unter www.axis.com/techsup finden Sie Firmware-Aktualisierungen für Ihre Netzwerkprodukte. Um die aktuell installierte Firmware-Version zu sehen, gehen Sie auf **Einrichten > Über**.

Besuchen Sie das Axis-Schulungszentrum www.axis.com/academy für anregende Schulungen, Webinare, Lernprogramme und Anleitungen.

Gewährleistung

Informationen zur Gewährleistung der Axis Produkte und hierzu verbundene Informationen, finden Sie unter www.axis.com/warranty/

Informazioni di sicurezza

Leggere con attenzione questa guida all'installazione prima di installare il dispositivo. Conservare questo documento per usi futuri.

Livelli di pericolo

▲PERICOLO

Indica una situazione pericolosa che, se non evitata, provoca morte o lesioni gravi.

▲AVVERTENZA

Indica una situazione pericolosa che, se non evitata, può provocare la morte o lesioni gravi.

▲ATTENZIONE

Indica una situazione pericolosa che, se non evitata, può provocare lesioni medie o minori.

AWISO

Indica una situazione che, se non evitata, può danneggiare la proprietà.

Altri livelli di messaggio

Importante

Indica informazioni importanti, essenziali per il corretto funzionamento del dispositivo.

Nota

Indica informazioni utili che aiutano a ottenere il massimo dal dispositivo.

Istruzioni di sicurezza

AWISO

- Il dispositivo Axis deve essere utilizzato in conformità alle leggi e alle disposizioni locali.
- Conservare il dispositivo Axis in un ambiente asciutto e ventilato.
- Evitare di esporre il dispositivo Axis a urti o pressioni eccessive.
- Non installare il dispositivo su supporti, superfici o pareti instabili.
- Utilizzare solo strumenti applicabili quando si installa il dispositivo Axis. Se si utilizza una forza eccessiva con gli strumenti dell'alimentazione è possibile causare danni al dispositivo.
- Non utilizzare sostanze chimiche, agenti caustici o detergenti aerosol.
- Utilizzare un panno pulito inumidito in acqua pura per la pulizia.
- Utilizzare solo accessori compatibili con le specifiche tecniche del dispositivo. Questi possono essere forniti da Axis o da terze parti.
- Utilizzare solo parti di ricambio fornite o consigliate da Axis.
- Non tentare di riparare il dispositivo da soli. Contattare l'assistenza o il rivenditore Axis per questioni relative alla manutenzione.

Trasporto

AWISO

- Durante il trasporto del dispositivo Axis, utilizzare l'imballaggio originale o equivalente per evitare danni al dispositivo.

Batteria

Il prodotto Axis utilizza una batteria al litio da 3,0 V BR/CR2032 come alimentazione per il suo real-time clock (RTC) interno. In condizioni normali questa batteria avrà una durata minima di cinque anni.

Una bassa carica della batteria influisce sul funzionamento del RTC, facendolo resettare a ogni accensione. Quando la batteria deve essere sostituita, un messaggio di registro viene visualizzato nel report server del prodotto. Per ulteriori informazioni sul report server, vedere le pagine di configurazione del prodotto o contattare l'assistenza Axis.

La batteria non deve essere sostituita se non richiesto, ma nel caso in cui questo fosse necessario, contattare il supporto Axis all'indirizzo www.axis.com/techsup per assistenza.

⚠AVVERTENZA

- Rischio di esplosione se la batteria viene sostituita in modo errato.
- Sostituire solo con una batteria identica o una batteria consigliata da Axis.
- Smaltire le batterie usate in base alle normative locali o alle istruzioni del produttore della batteria.

Cupola di protezione

AWISO

- Fare attenzione a non graffiare, danneggiare o lasciare impronte sulla cupola di protezione, perché potrebbe diminuire la qualità dell'immagine. Se possibile, tenere la protezione in plastica sulla cupola fino a quando l'installazione non sarà completata.
- Non pulire la cupola di protezione se non necessario. Una pulizia eccessiva potrebbe danneggiare la superficie.
- Per la pulizia generale della cupola di protezione, si consiglia di utilizzare un sapone neutro o detergente non abrasivo con acqua pura e un panno morbido e pulito. Sciacquare bene con acqua pura tiepida. Asciugare con un panno morbido e pulito per evitare macchie d'acqua.
- Non usare mai detersivi aggressivi, benzina, benzene o acetone ecc ed evitare di pulire la cupola di protezione alla luce diretta del sole o a temperature elevate.

Guida all'installazione

La presente Guida all'installazione fornisce le istruzioni necessarie per installare la telecamera di rete AXIS P3364–VE/P3365–VE/AXIS P3367–VE/AXIS P3384–VE nella rete in uso. Per ulteriori informazioni sull'utilizzo del dispositivo, consultare la guida per l'utente disponibile all'indirizzo www.axis.com

Procedure di installazione

1. Assicurarsi che il contenuto della confezione, gli strumenti e altri materiali necessari per l'installazione siano in ordine. Consultare *pagina 79*.
2. Studiare la descrizione dell'hardware. Consultare *pagina 80*.
3. Studiare le specifiche. Consultare *pagina 84*.
4. Installazione dell'hardware. Consultare *pagina 86*.
5. Accedere al prodotto. Consultare *pagina 95*.

Contenuto della confezione

- Telecamera di rete a cupola fissa AXIS P3364–VE/P3365–VE/P3367–VE/P3384–VE
- Cavo di rete da 5 m con guarnizione
- Kit di connettori
- Cacciavite Resitorx
- Copertura cupola oscurata con guarnizione
- Staffa di montaggio
- Schermo di protezione dagli agenti atmosferici
- Materiali stampati
 - Guida all'installazione (questo documento)
 - Sagoma per la foratura
 - Etichetta aggiuntiva con numero di serie (2x)
 - Chiave di autenticazione AVHS

Accessori opzionali

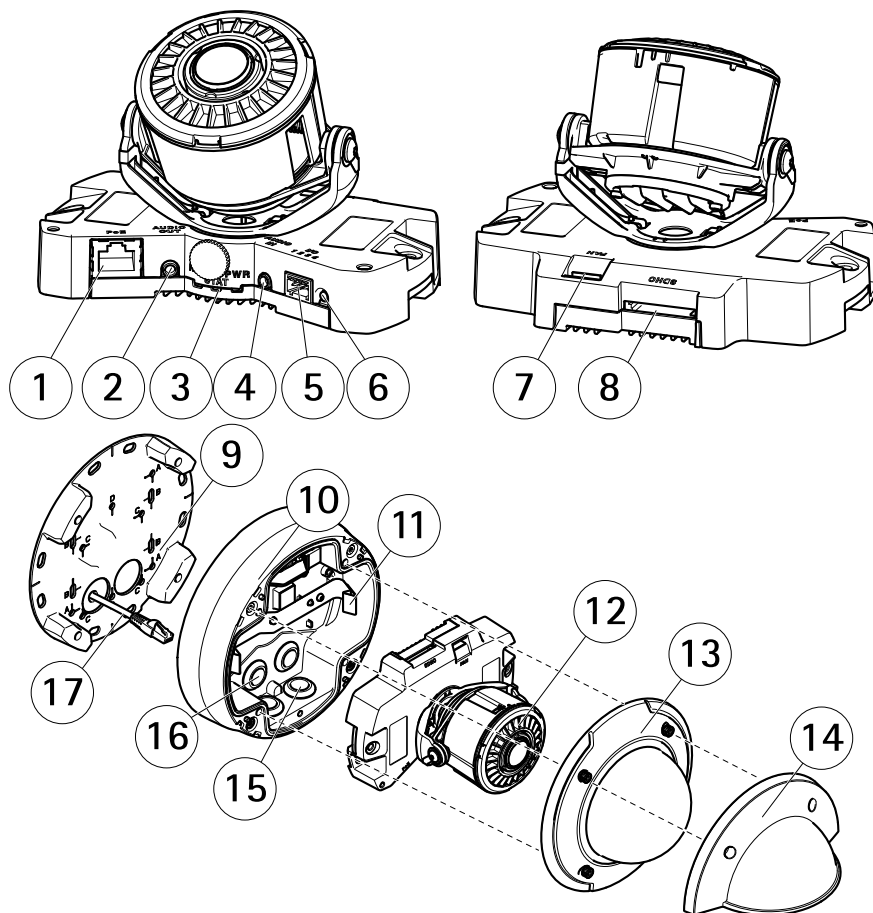
- Pacchetto licenza per decodificatore multiutente
- Display d'installazione AXIS T8414
- Midspan PoE AXIS
- Illuminatori AXIS T90B
- Kit di montaggio per controsoffitti di classe IP51
- Kit per montaggio a sospensione

AXIS P33-VE Series Fixed Dome Network Camera

- Schermatura del cavo
- Kit per montaggio a sospensione con schermo di protezione dagli agenti atmosferici
- Cavo I/O audio con guarnizione premontata

Visitare il sito web www.axis.com per informazioni sugli accessori disponibili.

Panoramica dell'hardware

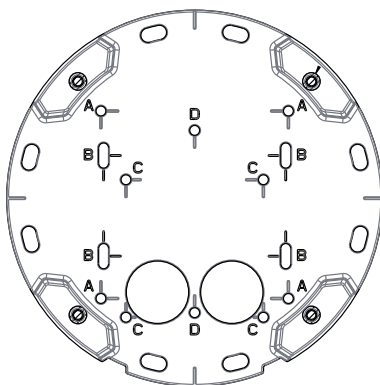


- 1 *Connettore di rete*
- 2 *Uscita audio*
- 3 *Indicatori LED (rete, stato, alimentazione)*

- 4 *Ingresso audio*
- 5 *Connettore I/O*
- 6 *Pulsante di comando*
- 7 *Connettore della ventola*
- 8 *Slot per scheda SD*
- 9 *Staffa di montaggio*
- 10 *Casing dell'unità*
- 11 *Molla*
- 12 *Riscaldatore della telecamera*
- 13 *Copertura a cupola*
- 14 *Schermo di protezione dagli agenti atmosferici*
- 15 *Fori inferiori*
- 16 *Fori laterali*
- 17 *Cavo di rete*

Staffa di montaggio

La staffa di montaggio ha 4 diversi schemi di montaggio (A, B, C, D).



Gli schemi di montaggio seguono lo standard per ciascuna delle seguenti opzioni di montaggio:

- A: scatola quadrata da 4"
- B: scatola di derivazione per unità doppia, a dimensioni standard USA
- C: scatola ottagonale da 4"
- D: scatola di derivazione per unità singola, a dimensioni standard USA

AXIS P33–VE Series Fixed Dome Network Camera

Indicatori LED

Nota

- Lo status del LED può essere configurato per essere spento durante il normale funzionamento. Per configurarlo, selezionare **Setup > System Options > Ports & Devices > LED (Configurazione > Opzioni di sistema > Porte & Dispositivi > LED)**. Per ulteriori informazioni, consultare l'aiuto in linea.
- Il LED di stato può essere configurato per lampeggiare quando un evento è attivo.
- Il LED di stato può essere configurato per lampeggiare per identificare l'unità. Andare su **Setup > System Options > Maintenance (Configurazione > Opzioni di sistema > Manutenzione)**.

LED di stato	Indicazione
Verde	Luce verde fissa: condizioni di normale utilizzo.
Giallo	Fissa durante l'avvio e quando si ripristinano le impostazioni.
Rosso	Lampeggia in rosso se l'aggiornamento del firmware non è andato a buon fine.

LED di rete	Indicazione
Verde	Luce fissa per connessione di rete a 100 Mbit/s. Luce lampeggiante: attività di rete.
Giallo	Luce fissa per connessione di rete a 10 Mbit/s. Luce lampeggiante: attività di rete.
Spento	Assenza di connessione.

LED di alimentazione	Indicazione
Verde	Normale utilizzo.
Giallo	Luce lampeggiante verde/gialla: aggiornamento firmware.

Connettori e pulsanti

Per le specifiche e le condizioni di funzionamento, consultare *pagina 84*.

Connettore di rete

Connettore Ethernet RJ45 con Power over Ethernet (PoE+).

AWISO

A causa di normative locali o condizioni ambientali ed elettriche in cui il dispositivo deve essere utilizzato, può essere opportuno o necessario l'utilizzo di un cavo di rete schermato (STP). Tutti i cavi di rete del dispositivo posizionati all'aperto o in ambienti elettrici in condizioni difficili sono destinati al loro uso specifico. Accertarsi che i dispositivi di rete siano installati secondo le istruzioni del produttore. Per maggiori informazioni sui requisiti normativi, consultare *Electromagnetic Compatibility (EMC) on page 2*.

Connettore I/O

Utilizzare con dispositivi esterni in combinazione con, ad esempio, allarmi antimanomissione, rilevazione del movimento, attivazione di eventi, registrazione temporizzata e notifiche di allarme. Oltre al punto di riferimento 0 V CC e all'alimentazione (uscita CC), il connettore I/O fornisce l'interfaccia per:

- **Uscita digitale** – Per collegare dispositivi esterni come relè o LED. Le periferiche collegate possono essere attivate tramite VAPIX® API (interfaccia per la programmazione di applicazioni), tramite i pulsanti di comando della pagina Live View (Immagini dal vivo) oppure tramite l'opzione Action Rule (regola di azione). L'uscita verrà visualizzata come attiva (visualizzata in Opzioni di Sistema > Porte e Dispositivi) se il dispositivo di allarme è attivato.
- **Ingresso digitale** – Ingresso allarme utilizzabile per collegare le periferiche, che può passare dal circuito chiuso al circuito aperto, ad esempio: Sensori di movimento (PIR), contatti porta/finestra, rilevatori di rottura vetri e così via. Dopo la ricezione del segnale lo stato cambia e l'ingresso diventa attivo (visualizzato in System Options > Ports & Devices (Opzioni di Sistema > Porte e Dispositivi)).

Connettore audio

Il prodotto Axis dispone dei seguenti connettori audio:

- **Ingresso audio (rosa)** - Ingresso audio da 3,5 mm per microfono in mono o segnale mono line-in.
- **Uscita audio (verde)** - Uscita audio da 3,5 mm (livello di linea) che può essere connessa a un sistema di indirizzo pubblico (PA) o a un altoparlante con amplificatore integrato. Per l'uscita audio è necessario usare un connettore stereo.

Per l'ingresso audio, il canale sinistro viene utilizzato da un segnale stereo.

AXIS P33–VE Series Fixed Dome Network Camera

Slot per scheda SD

AVISO

- Rischio di danni alla scheda SD. Non utilizzare strumenti appuntiti e non esercitare eccessiva forza durante l'inserimento o la rimozione della scheda SD.
- Rischio di perdita di dati. Per prevenire il danneggiamento dei dati, la scheda SD deve essere scollegata prima della rimozione. Per scollegare, andare a **Setup > System Options > Storage > SD Card (Configurazione > Opzioni di sistema > Archiviazione > Scheda SD)** e fare clic su **Unmount (Smonta)**.

Questo dispositivo supporta schede di memoria SD/SDHC/SDXC (scheda di memoria non inclusa).

Per i consigli sulla scheda SD, visitare il sito Web www.axis.com.

Pulsante di comando

Per l'ubicazione del pulsante di comando, vedere *Panoramica dell'hardware alla pagina 80*.

Il pulsante di comando viene utilizzato per:

- Ripristino del dispositivo alle impostazioni predefinite di fabbrica. Consultare *pagina 96*.
- Collegamento a un servizio AXIS Video Hosting System o AXIS Internet Dynamic DNS Service. Per ulteriori informazioni su questi servizi, consultare il Manuale Utente.

Dati tecnici

Condizioni di funzionamento

Il dispositivo Axis è destinato all'uso esterno.

Dispositivo	Classificazione	Temperatura	Umidità
AXIS P3364–VE AXIS P3365–VE AXIS P3367–VE AXIS P3384–VE	IEC 62262 IK10 NEMA 250 Tipo 4X	Da -40 °C a 55 °C (da -40 °F a 131 °F)	10-100% umidità relativa (con condensa)

Consumo energetico

AVISO

Rischio di malfunzionamento del riscaldatore. Assicurarsi che lo switch sul fondo della telecamera sia configurato su **HEATER-POE CLASS 3**.

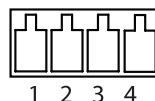
AXIS P33-VE Series Fixed Dome Network Camera

Dispositivo	PoE
AXIS P3364-VE AXIS P3365-VE AXIS P3367-VE AXIS P3384-VE	Power over Ethernet (PoE) IEEE 802.3af/802.3at Tipo 1 Classe 3

Connettori

Connettore I/O

Morsettiera a 4 pin



Per un esempio di schema, consultare *Schemi delle connessioni alla pagina 86*.

Funzione	Pin	Note	Specifiche
0 V CC (-)	1		0 V CC
Uscita CC	2	Il pin può essere utilizzato anche per alimentare una periferica ausiliaria. Nota: usare questo pin solo come uscita alimentazione.	3,3 V CC Carico massimo = 50 mA
Ingresso digitale	3	Collegare al pin 1 per attivarlo oppure lasciarlo isolato (scollegato) per disattivarlo	Da 0 a max 40 V CC
Uscita digitale	4	Collegare al pin 1 quando attiva, isolata (scollegata) quando inattiva. Se utilizzata con un carico induttivo, ad esempio un relè esterno, è necessario collegare un diodo in parallelo al carico per proteggere il dispositivo da sovratensioni.	Da 0 a max 40 V CC, open-drain, 100 mA

Connettore audio

Connettori audio da 3,5 mm (stereo)

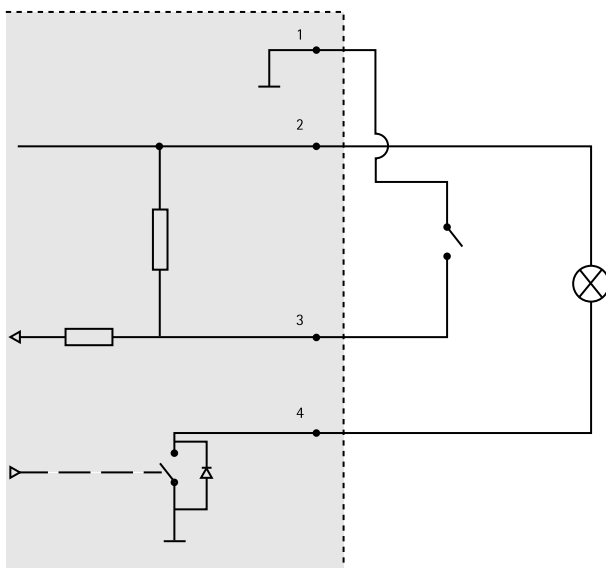


AXIS P33-VE Series Fixed Dome Network Camera

	1 Punta	2 Anello	3 Guaina
Ingresso audio	Ingresso microfono/linea		Terra
Uscita audio	Uscita linea (mono)		Terra

Schemi delle connessioni

Connettore I/O



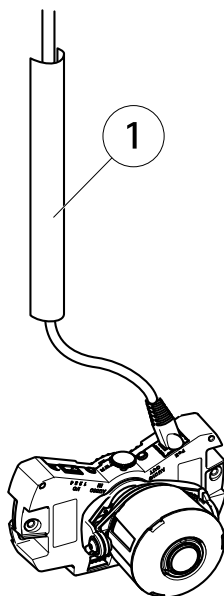
- 1 0 V CC (-)
- 2 Uscita CC 3,3 V, max 50 mA
- 3 Ingresso digitale da 0 a max 40 V CC
- 4 Ingresso digitale da 0 a max 40 V CC, open-drain, 100 mA

Installazione dell'Hardware

Nota

- Questo dispositivo Axis può essere montato installando i cavi attraverso la parete o lungo di essa.
- Questo dispositivo può essere munito di una canalina metallica per proteggere i cavi nel caso in cui vengano installati lungo la parete.

L'illustrazione mostra un modello per interni.



1 Canalina in metallo (non inclusa)

Eeguire l'installazione dell'hardware rispettando l'ordine seguente:

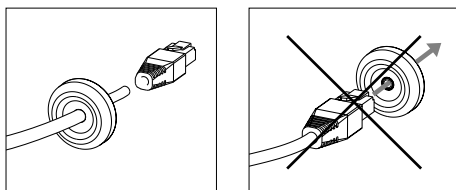
1. Preparazione del cavo di rete
2. Sostituzione della copertura della cupola trasparente/fumé (opzionale)
3. Installazione dei cavi
4. Installazione dell'unità telecamera
5. Regolazione della posizione dell'obiettivo
6. Regolazione della messa a fuoco e dello zoom
7. Completamento dell'installazione

Preparazione del cavo di rete

Nota

- Non forzare il connettore di rete nella guarnizione.
- Non forare la guarnizione con un coltello o un altro oggetto appuntito.

AXIS P33-VE Series Fixed Dome Network Camera



Se si utilizza un cavo diverso da quello fornito, sul cavo di rete è necessario montare una guarnizione. Spingere delicatamente il cavo nella guarnizione fornita e fissarlo ad un connettore di rete. Può talvolta essere necessario forare la guarnizione con il cacciavite Resitorx.

Sostituzione della copertura della cupola trasparente/fumé(opzionale)

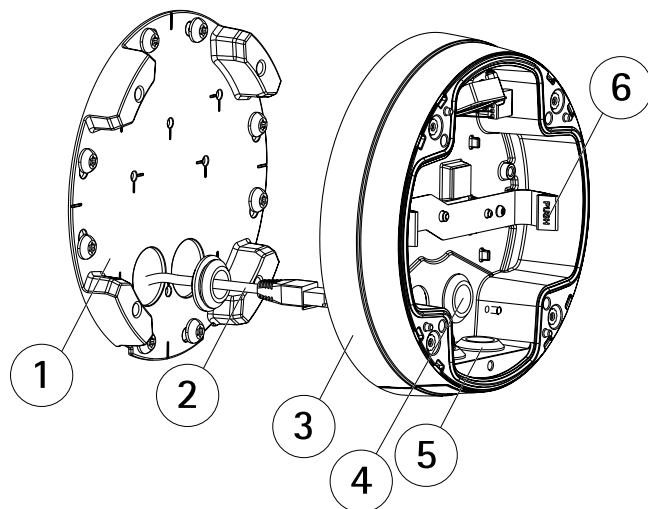
Il dispositivo Axis viene fornito con una cupola opzionale. Per sostituire la copertura a cupola:

1. Allentare le quattro viti che fissano la cupola in posizione sotto la copertura.
2. Sostituire la cupola esistente con quella nuova. Assicurarsi che la guarnizione in gomma sia ben salda e serrare le viti.

Installazione dei cavi

I cavi possono essere installati nei modi seguenti:

- Attraverso la parete, vedere *Installazione dei cavi attraverso la parete alla pagina 89*
- Lungo la parete, vedere *Preparazione del casing dell'unità alla pagina 90 e pagina Installazione dei cavi lungo la parete. alla pagina 90.*



- 1 Staffa di montaggio
- 2 Cavo di rete con guarnizione
- 3 Casing dell'unità
- 4 Guarnizione parete
- 5 Guarnizione inferiore
- 6 Molla

Installazione dei cavi attraverso la parete

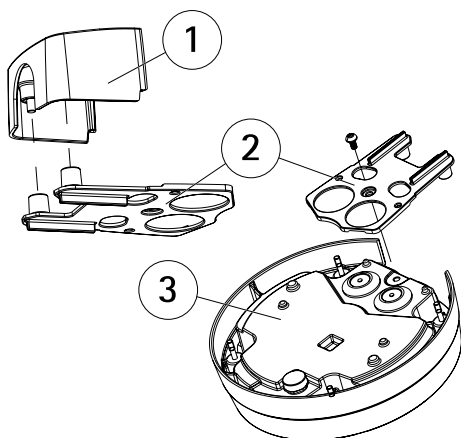
1. Praticare quattro fori nella parete utilizzando la maschera di foratura.
2. Far passare il cavo di rete e, se necessario, i cavi I/O e audio attraverso la parete e i fori sulla staffa di montaggio.
3. Fissare la staffa di montaggio alla parete utilizzando quattro viti e tasselli idonei al materiale della parete.
4. Rimuovere l'unità telecamera dal casing dell'unità spingendo via le molle.
5. Rimuovere le guarnizioni da parete dal casing dell'unità. Se è presente un solo cavo, rimuovere una sola guarnizione.
6. Far passare i cavi attraverso i fori sulla parete nel casing dell'unità.
7. Far scorrere le guarnizioni lungo i cavi e inserirle nei fori. Controllare che le guarnizioni si inseriscano a fondo nei fori, senza pieghe o curvature.
8. Fissare il casing dell'unità alla staffa di montaggio serrando le quattro viti.

AXIS P33–VE Series Fixed Dome Network Camera

Preparazione del casing dell'unità

Se i cavi devono passare lungo la parete, attenersi alla seguente procedura per preparare il casing dell'unità:

1. Rimuovere la copertura laterale fissata al casing dell'unità rimuovendo la vite.
2. Allentare le due viti sulla schermatura del cavo e staccare la parte inferiore.
3. Utilizzando la vite, fissare la parte inferiore della schermatura del cavo al casing dell'unità.



- 1 *Parte superiore della schermatura del cavo (accessorio opzionale)*
- 2 *Parte inferiore della schermatura del cavo (accessorio opzionale)*
- 3 *Casing dell'unità*

Installazione dei cavi lungo la parete.

Nota

Per evitare problemi dovuti all'umidità, è consigliabile installare i cavi nella parte inferiore della telecamera, con i fori per i cavi rivolti verso il basso.

1. Praticare quattro fori nella parete utilizzando la maschera di foratura.
2. Fissare la staffa di montaggio alla parete utilizzando quattro viti idonee al materiale della parete.
3. Rimuovere l'unità telecamera dal casing dell'unità spingendo via le molle.
4. Rimuovere le guarnizioni inferiori nel casing dell'unità. Se è presente un solo cavo, rimuovere una sola guarnizione.
5. Posizionare il casing dell'unità sulla staffa di montaggio e fissarlo in posizione serrando le quattro viti.

6. Tirare il cavo di rete e, se necessario, i cavi I/O e audio verso l'alto attraverso i fori inferiori nel casing dell'unità.
7. Far scorrere le guarnizioni lungo i cavi e inserirle nei fori. Controllare che le guarnizioni si inseriscano a fondo nei fori, senza pieghe o curvature.
8. Rimontare la parte superiore della schermatura del cavo serrando le due viti.

Installazione dell'unità telecamera

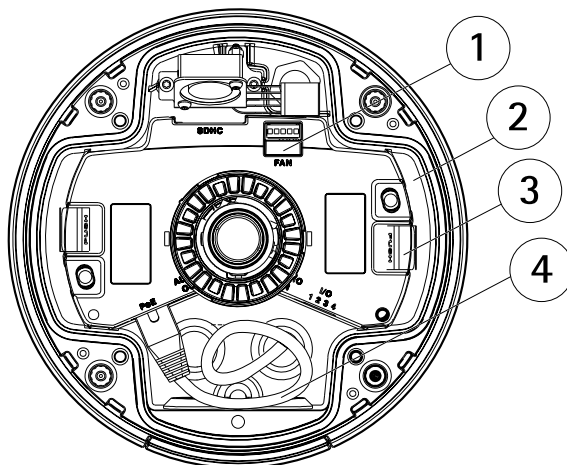
AVVISO

Rischio di malfunzionamento del riscaldatore. Assicurarsi che lo switch sotto la telecamera sia configurato su HEATER-POE CLASS 3.

Nota

Fare attenzione a non tirare eccessivamente il cavo di rete o piegarlo se non necessario poiché lo si potrebbe danneggiare.

1. Fissare il cavo di rete all'unità telecamera e, se necessario, fissare i cavi audio e I/O. È consigliabile avvolgere il cavo di rete ad anello, come mostrato nella figura.
2. Inserire la scheda di memoria SD (opzionale).
3. Allontanare le molle del casing dell'unità e installare l'unità telecamera facendola scattare in posizione.
4. Fissare il connettore della ventola a quello sull'unità telecamera.



- 1 Connettore della ventola
- 2 Unità telecamera
- 3 Molla

Regolazione della posizione dell'obiettivo

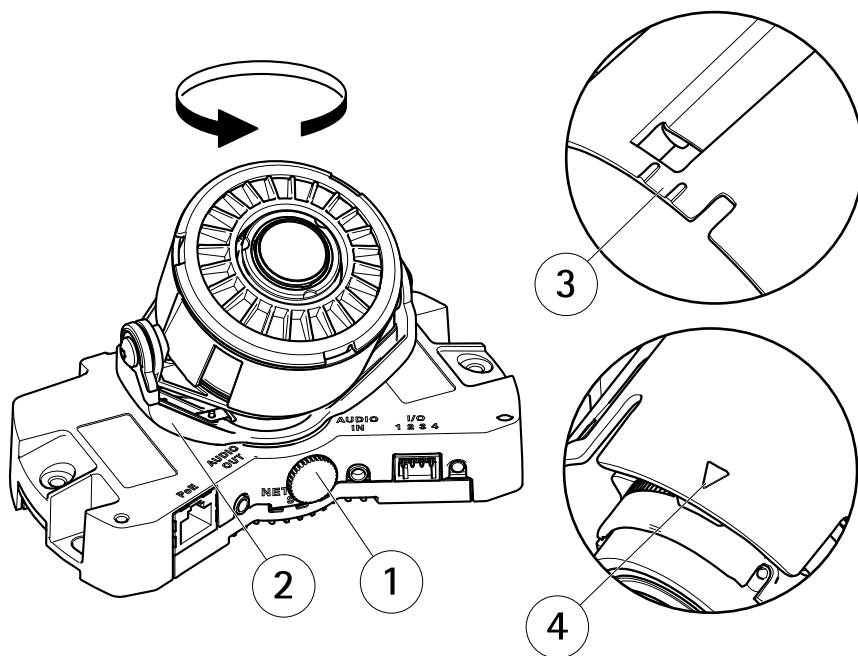
L'obiettivo può essere ruotato e inclinato per coprire una determinata area di interesse e regolare le immagini dal vivo.

Rotazione dell'obiettivo

Nota

Il contrassegno sul coperchio dell'obiettivo è orientato verso l'alto per impostazione predefinita (montaggio a parete).

1. Aprire la pagina Live View (Immagini dal vivo) e vedere *Accedere al dispositivo alla pagina 95*.



- 1 Vite di arresto
- 2 Porta-obiettivo
- 3 Contrassegno (design A)
- 4 Contrassegno (design B)

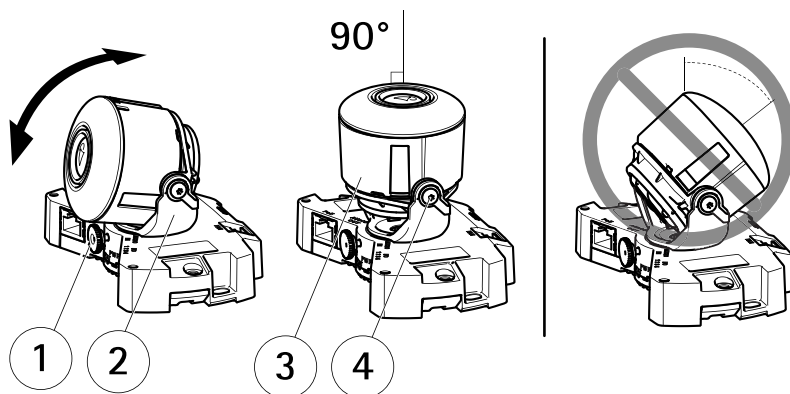
2. Allentare la vite di arresto.
3. Controllare la pagina Live View (Immagini dal vivo) e girare il porta-obiettivo per ruotare l'obiettivo di 90° o 180°.
4. Stringere delicatamente la vite di arresto per bloccare il porta-obiettivo nella posizione desiderata.

Inclinazione dell'obiettivo

AWISO

Valido per **AXIS P3365-VE/P3367-VE/P3384-VE**: L'obiettivo non deve essere inclinato di oltre 90° poiché il dispositivo potrebbe danneggiarsi. Seguire le istruzioni riportate qui sotto.

L'illustrazione qui sotto mostra una variante per interni.



- 1 Vite di arresto
- 2 Porta-obiettivo
- 3 Obiettivo
- 4 Viti

1. Aprire la pagina Live View (Immagini dal vivo) e vedere *Accedere al dispositivo alla pagina 95*.
2. Allentare le due viti.
3. Controllare la pagina Live View (Immagini dal vivo) e inclinare l'obiettivo nella posizione desiderata.
4. Se è necessario inclinare l'obiettivo di oltre 90°, procedere nel modo seguente:
 - Allentare la vite di arresto.
 - Ruotare il porta-obiettivo di 180°.

- Serrare la vite di arresto.
 - Inclinare l'obiettivo.
5. Serrare le due viti.

Regolazione della messa a fuoco e dello zoom

AVVISO

La regolazione manuale della messa a fuoco e dello zoom può danneggiare l'obiettivo.

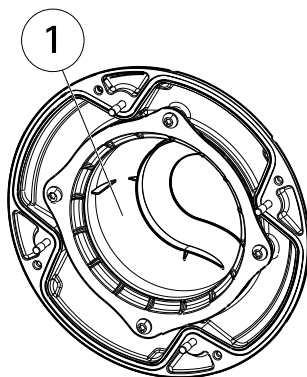
Nota

- Una volta montata la cupola, l'immagine potrebbe apparire leggermente sfocata a causa della rifrazione. Per correggere questo problema, aprire la pagina Web Focus Adjustment (Regolazione messa a fuoco) in **Setup (Configurazione) > Basic Setup (Configurazione di base) > Focus Et Zoom (Messa a fuoco e zoom)** e regolare nuovamente la messa a fuoco.

Aprire la pagina **Focus Adjustment** (Regolazione messa a fuoco) nell'interfaccia Web in **Setup (Configurazione) > Basic Setup (Configurazione di base) > Focus Et Zoom (Messa a fuoco e zoom)** e seguire le istruzioni visualizzate. Utilizzare la finestra di regolazione delle immagini per impostare la messa a fuoco e lo zoom. Per ulteriori informazioni, consultare la Guida in linea.

Completamento dell'installazione

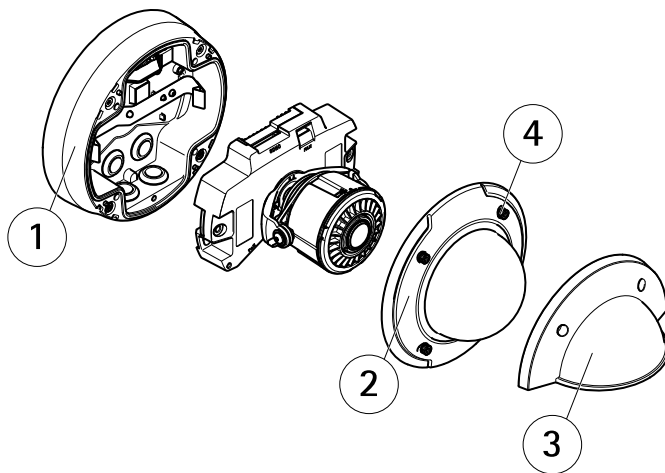
1. Ruotare lo schermo nero all'interno della copertura a cupola affinché non copra l'obiettivo.



1 Schermo nero

2. Se necessario, fissare alla telecamera lo schermo di protezione dagli agenti atmosferici prima di montare la copertura a cupola:

- Rimuovere le due viti sulla copertura a cupola.
 - Spostare le rondelle dalle viti alle viti utilizzate sullo schermo di protezione dagli agenti atmosferici, quindi fissare quest'ultimo.
3. Assicurarsi che la guarnizione in gomma sia ben salda sulla copertura a cupola.
 4. Pulire la cupola con un panno morbido e asciutto per rimuovere polvere e impronte digitali; utilizzare un soffiato per rimuovere la polvere dall'obiettivo.
 5. Fissare la copertura a cupola al casing dell'unità serrando le quattro viti.
 6. Dopo aver posizionato la copertura a cupola, accertarsi che la telecamera sia correttamente a fuoco.



- 1 Casing dell'unità
- 2 Copertura a cupola
- 3 Schermo di protezione dagli agenti atmosferici
- 4 Rondella e vite

A questo punto l'installazione è completata.

Accedere al dispositivo

AXIS IP Utility e AXIS Camera Management sono i metodi consigliati per trovare i dispositivi Axis in rete e assegnare loro un indirizzo IP in Windows®. Queste applicazioni sono entrambe gratuite e possono essere scaricate da www.axis.com/techsup

Il dispositivo può essere utilizzato con la maggior parte dei sistemi operativi e dei browser. I browser consigliati sono

AXIS P33–VE Series Fixed Dome Network Camera

- Internet Explorer® con Windows®
- Safari® con OS X® e
- Chrome™ o Firefox® con altri sistemi operativi.

Per ulteriori informazioni sull'utilizzo del dispositivo, consultare la Guida per l'utente disponibile all'indirizzo www.axis.com

Ripristino dei valori predefiniti di fabbrica

Importante

Il ripristino delle impostazioni di fabbrica deve essere usato con cautela. Un ripristino delle impostazioni di fabbrica consentirà di ripristinare le impostazioni di fabbrica per tutti i parametri, incluso l'indirizzo IP.

Nota

Gli strumenti per l'installazione e la gestione del software sono disponibili nelle pagine dedicate all'assistenza sul sito Web www.axis.com/techsup.

Per ripristinare il dispositivo alle impostazioni predefinite di fabbrica:

1. Scollegare l'alimentazione dal dispositivo.
2. Tenere premuto il pulsante di controllo e ricollegare l'alimentazione. Consultare *Panoramica dell'hardware alla pagina 80*.
3. Tenere premuto il pulsante di controllo per 15-30 secondi fino a quando l'indicatore LED di stato lampeggerà in giallo.
4. Rilasciare il pulsante di comando. Il processo è completo quando il LED di stato diventerà verde. Il dispositivo è stato reimpostato alle impostazioni di fabbrica predefinite. Se nessun server DHCP è disponibile in rete, l'indirizzo IP predefinito è 192.168.0.90.
5. Mediante gli strumenti per l'installazione e la gestione del software, assegnare un indirizzo IP, impostare la password e accedere al flusso video.

È anche possibile reimpostare i parametri alle impostazioni predefinite di fabbrica mediante l'interfaccia Web. Andare a **Setup > System Options > Maintenance (Configurazione > Opzioni di sistema > Manutenzione)**.

Ulteriori Informazioni

Il Manuale per l'Utente è disponibile all'indirizzo www.axis.com

Visitare il sito all'indirizzo www.axis.com/techsup per verificare se sono stati pubblicati aggiornamenti del firmware per il proprio dispositivo di rete. Per conoscere la versione del firmware installata, andare su **Setup (Impostazioni) > About (Informazioni su)**.

Visitare il Centro di apprendimento Axis alla pagina www.axis.com/academy per servizi di formazione utili, webinar, tutorial e guide.

Informazioni sulla garanzia

Per informazioni sulla garanzia del dispositivo Axis e informazioni ad esso relative, consultare la pagina www.axis.com/warranty/

Información de seguridad

Lea esta Guía de instalación con atención antes de instalar el producto. Guarde la Guía de instalación para poder consultarla en otro momento.

Niveles de peligrosidad

▲PELIGRO

Indica una situación peligrosa que, si no se evita, provocará lesiones graves o la muerte.

▲ADVERTENCIA

Indica una situación peligrosa que, si no se evita, puede provocar lesiones graves o la muerte.

▲ATENCIÓN

Indica una situación peligrosa que, si no se evita, puede provocar lesiones moderadas o leves.

AVISO

Indica una situación peligrosa que, si no se evita, puede provocar daños materiales.

Otros niveles de mensaje

Importante

Indica información importante que es fundamental para que el producto funcione correctamente.

Nota

Indica información útil que ayuda a aprovechar el producto al máximo.

AXIS P33–VE Series Fixed Dome Network Camera

Instrucciones de seguridad

AVISO

- El producto de Axis debe utilizarse de acuerdo con la legislación y la normativa locales.
- Almacene el producto de Axis en un entorno seco y ventilado.
- Evite la exposición del producto de Axis a choques o a una fuerte presión.
- No instale el producto en soportes, superficies o paredes inestables.
- Utilice solo las herramientas correspondientes cuando instale el producto de Axis. La aplicación de una fuerza excesiva con herramientas eléctricas puede provocar daños en el producto.
- No utilice limpiadores en aerosol, agentes cáusticos ni productos químicos.
- Limpie con un paño limpio humedecido con agua pura.
- Utilice solo accesorios que cumplan con las especificaciones técnicas del producto. Estos accesorios los puede proporcionar Axis o un tercero.
- Utilice solo piezas de repuesto proporcionadas o recomendadas por Axis.
- No intente reparar el producto usted mismo. Póngase en contacto con el servicio de asistencia técnica de Axis o con su distribuidor de Axis para tratar asuntos de reparación.

Transporte

AVISO

- Cuando transporte el producto de Axis, utilice el embalaje original o un equivalente para evitar daños en el producto.

Batería

Este producto de Axis utiliza una batería de litio BR/CR2032 de 3,0 V como fuente de alimentación del reloj interno en tiempo real. En condiciones normales, esta batería durará un mínimo de cinco años.

Un nivel bajo de batería afectará al funcionamiento del reloj en tiempo real, lo que provocará el restablecimiento de este cada vez que se encienda el producto. Cuando sea necesario sustituir la batería, aparecerá un mensaje de registro en el informe del servidor del producto. Para obtener más información sobre el informe del servidor, consulte las páginas de configuración del producto o póngase en contacto con el servicio de asistencia técnica de Axis.

La batería no debe sustituirse a menos que sea necesario; no obstante, si precisa hacerlo, póngase en contacto con el servicio de asistencia técnica de Axis en www.axis.com/techsup para solicitar ayuda.

⚠ADVERTENCIA

- La sustitución incorrecta de la batería implica riesgo de explosión.
- Sustituya la batería por una batería idéntica u otra batería recomendada por Axis.
- Deseche las baterías usadas de conformidad con la normativa local o las instrucciones del fabricante.

Cubierta del domo

AVISO

- Preste atención a no arañar, dañar o dejar las huellas en la cubierta del domo, puesto que esto puede provocar una disminución de la calidad de imagen. Si es posible, mantenga el plástico de protección en la cubierta del domo hasta que se complete la instalación.
- No limpie la cubierta del domo si parece a simple vista que está limpia y nunca pule la superficie. Una limpieza excesiva podría dañar la superficie.
- Para realizar un procedimiento de limpieza general de la cubierta del domo se recomienda usar detergente o jabón neutros, sin disolventes y no abrasivos mezclados con agua pura, y un paño suave y limpio. Enjuague bien con agua pura y tibia. Seque con un paño limpio y suave para evitar las manchas de gotas de agua.
- Nunca utilice detergentes abrasivos, gasolina, benceno, acetona, etc. y evite limpiar la cubierta del domo a temperaturas elevadas o en contacto directo con la luz solar.

Guía de instalación

Esta Guía de instalación incluye las instrucciones necesarias para instalar la cámara de red AXIS P3364–VE/P3365–VE/AXIS P3367–VE/AXIS P3384–VE en su red. Para conocer otros aspectos de uso del producto, consulte el Manual del usuario disponible en www.axis.com.

Pasos de la instalación

1. Asegúrese de que dispone del contenido del paquete, las herramientas y los demás materiales necesarios para la instalación. *Vea página 103.*
2. Estudie la información general del hardware. *Vea página 104.*
3. Estudie las especificaciones. *Vea página 108.*
4. Instale el hardware. *Vea página 111.*
5. Acceda al producto. *Vea página 119.*

Contenido del paquete

- Cámara de red domo fija AXIS P3364–VE/P3365–VE/P3367–VE/P3384–VE
- Cable de red de 5 m con junta
- Kit de conexión
- Destornillador Resitorx
- Cubierta del domo ahumada con junta
- Soporte de montaje
- Parasol
- Materiales impresos
 - Guía de instalación (este documento)
 - Plantilla de perforado
 - Etiquetas adicionales con el número de serie (2)
 - Clave de autenticación AVHS

Accesorios opcionales

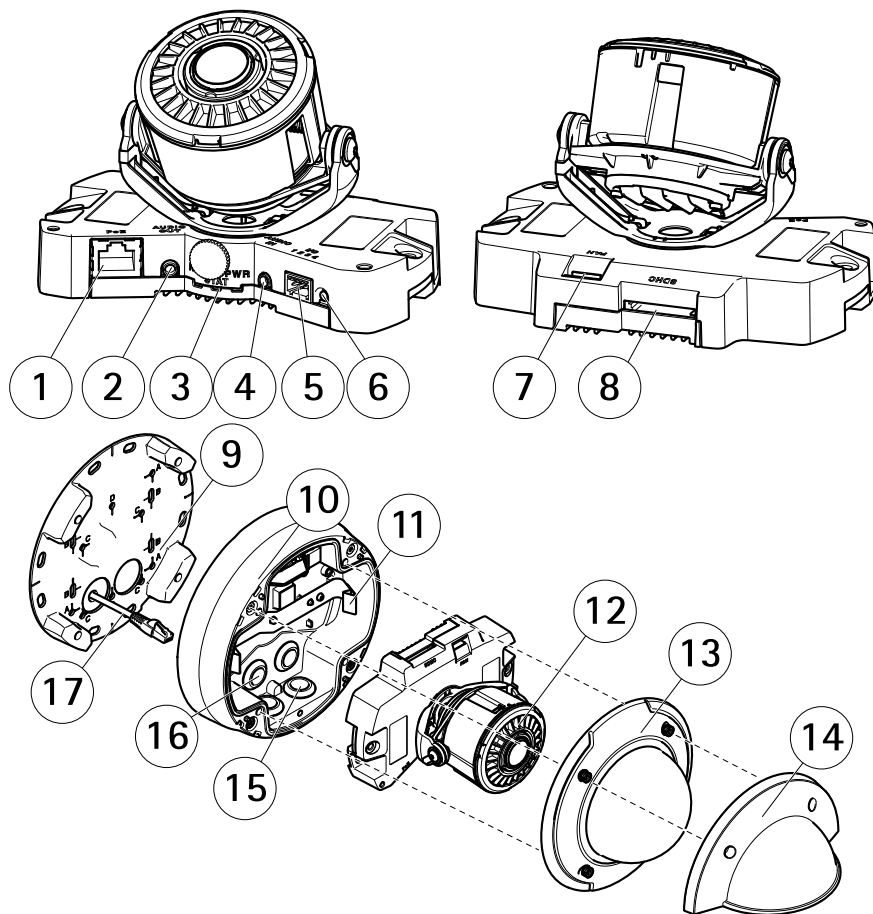
- Pack de licencia del descodificador multiusuario
- Monitor de instalación AXIS T8414
- Inyectores PoE AXIS
- Iluminadores AXIS T90B
- Kit de montaje en falsos techos con clasificación IP51
- Kit colgante

AXIS P33-VE Series Fixed Dome Network Camera

- Blindaje del cable
- Kit colgante que incluye parasol
- Cable de E/S de audio con junta montada previamente

Para obtener información sobre los accesorios disponibles, vea www.axis.com.

Información general del hardware

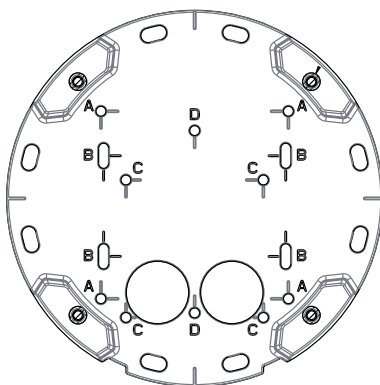


- 1 Conector de red
- 2 Salida de audio
- 3 Indicadores LED (red, estado y encendido)

- 4 *Entrada de audio*
- 5 *Conector de E/S*
- 6 *Botón de control*
- 7 *Conector del ventilador*
- 8 *Ranura para tarjetas SD*
- 9 *Soporte de montaje*
- 10 *Carcasa de la unidad*
- 11 *Muelle*
- 12 *Calefactor de la cámara*
- 13 *Cubierta del domo*
- 14 *Parasol*
- 15 *Orificios inferiores*
- 16 *Orificios laterales*
- 17 *Cable de red*

Soporte de montaje

El soporte de montaje cuenta con cuatro diseños de montaje (A, B, C, D).



Los diseños de montaje siguen la norma de las siguientes opciones de montaje:

- A: caja cuadrada de 10,16 cm
- B: caja de conexiones de salida doble de tamaño estándar para EE. UU.
- C: caja octogonal de 10,16 cm
- D: caja de conexiones de salida única de tamaño estándar para EE. UU.

AXIS P33–VE Series Fixed Dome Network Camera

Indicadores LED

Nota

- Se puede configurar el LED de estado para que se apague durante el funcionamiento normal. Para ello, vaya a **Setup > System Options > Ports & Devices > LED (Configuración > Opciones del sistema > Puertos y dispositivos > LED)**. Vea la ayuda en línea para obtener más información.
- Se puede configurar el LED Estado para que parpadee mientras haya un evento activo.
- Se puede configurar el LED de estado para que parpadee e identifique la unidad. Vaya a **Setup > System Options > Maintenance (Configuración > Opciones del sistema > Mantenimiento)**.

LED de estado	Indicación
Verde	Verde fijo para indicar un funcionamiento normal.
Ámbar	Fijo durante el inicio y al restaurar valores de configuración.
Rojo	Parpadea en rojo si se produce un error durante la actualización del firmware.

LED de red	Indicación
Verde	Fijo para indicar una conexión a una red de 100 Mbits/s. Parpadea cuando hay actividad de red.
Ámbar	Fijo para indicar una conexión a una red de 10 Mbits/s. Parpadea cuando hay actividad de red.
Apagado	No hay conexión a la red.

LED de alimentación	Indicación
Verde	Funcionamiento normal.
Ámbar	Parpadea en verde/ámbar durante la actualización del firmware.

Conectores y botones

Para conocer las especificaciones y las condiciones de funcionamiento, vea *página 108*.

Conector de red

Conector Ethernet RJ45 con alimentación a través de Ethernet (PoE).

AVISO

Debido a la normativa local o a las condiciones ambientales y eléctricas en las que se vaya a utilizar el producto, puede que sea adecuado u obligatorio el uso de un cable de red blindado (STP). Todos los cables que conectan el producto a la red y que se utilicen en exteriores o en entornos eléctricos exigentes deberán estar blindados y diseñados para su uso específico. Asegúrese de que los dispositivos de red estén instalados de conformidad con las instrucciones del fabricante. Para obtener información sobre los requisitos normativos, vea *Electromagnetic Compatibility (EMC) on page 2*.

Conector de E/S

Se utiliza con dispositivos externos combinados, por ejemplo, con alarmas antimanipulación, detección de movimiento, activación de eventos, grabación de intervalos de tiempo y notificaciones de alarma. Además del punto de referencia de 0 V CC y la potencia (salida de CC), el conector de E/S ofrece la interfaz para:

- **Salida digital:** para conectar dispositivos externos como relés y LED. Los dispositivos conectados se pueden activar mediante la Interfaz de programación de aplicaciones (API) VAPIX®, los botones de salida de la página Live View o mediante una regla de acción. La salida se mostrará activa (se indica en **System Options > Ports & Devices** (Opciones del sistema > Puertos y dispositivos)) si el dispositivo de alarma está activado.
- **Entrada digital:** una entrada de alarma para conectar dispositivos que puedan alternar circuitos cerrados y abiertos, como detectores PIR, contactos de puertas y ventanas, detectores de rotura de cristales, etc. Cuando se recibe una señal, el estado cambia y la entrada se vuelve activa (se indica en **System Options > Ports & Devices** (Opciones del sistema > Puertos y dispositivos)).

Conector de audio

El producto de Axis integra los siguientes conectores de audio:

- **Entrada de audio (rosa):** entrada de 3,5 mm para micrófono mono, o entrada de línea de señal mono.
- **Salida de audio (verde):** salida para audio (nivel de línea) de 3,5 mm que se puede conectar a un sistema de megafonía pública o a un altavoz con amplificador incorporado. Debe utilizarse un conector estéreo para la salida de audio.

En el caso de la entrada de audio, se utiliza el canal izquierdo de una señal estéreo.

AXIS P33–VE Series Fixed Dome Network Camera

Ranura para tarjetas SD

AVISO

- Riesgo de daños en la tarjeta SD. No utilice herramientas afiladas ni ejerza demasiada fuerza al insertar o retirar la tarjeta SD.
- Riesgo de pérdida de datos. Antes de retirar la tarjeta SD, es preciso desmontarla para evitar que los datos resulten dañados. Para desmontarla, vaya a **Setup > System Options > Storage > SD Card (Configuración > Opciones del sistema > Almacenamiento > Tarjeta SD)** y haga clic en **Unmount (Desmontar)**.

Este producto admite tarjetas SD/SDHC/SDXC (no incluidas).

Para conocer las recomendaciones de tarjeta SD, consulte www.axis.com.

Botón de control

Para conocer la ubicación del botón de control, vea *Información general del hardware en la página 104*.

El botón de control se utiliza para lo siguiente:

- Restablecer el producto a la configuración predeterminada de fábrica. Vea *página 120*.
- Conectarse a un servicio AXIS Video Hosting System o al Servicio de DNS dinámico de Internet de AXIS. Para obtener más información sobre estos servicios, consulte el Manual del usuario.

Especificaciones

Condiciones de funcionamiento

El producto de Axis se ha creado para su uso en exterior.

Producto	Clasificación	Temperatura	Humedad
AXIS P3364–VE AXIS P3365–VE AXIS P3367–VE AXIS P3384–VE	IEC 62262 IK10 NEMA 250 Tipo 4X	De -40 °C a 55 °C	Humedad relativa del 10 al 100 % (con condensación)

Consumo

AVISO

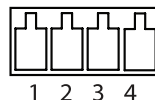
Riesgo de fallo de funcionamiento del calefactor. Asegúrese de que el interruptor de la parte inferior de la cámara esté configurado en **HEATER-POE CLASS 3** (CALEFACTOR PoE CLASE 3).

Producto	PoE
AXIS P3364-VE AXIS P3365-VE AXIS P3367-VE AXIS P3384-VE	Alimentación a través de Ethernet (PoE) IEEE 802.3af/802.3at Tipo 1 Clase 3

Conectores

Conector de E/S

Bloque de terminales de 4 pines



Para ver un ejemplo del diagrama, consulte *Diagramas de conexión en la página 110*.

Función	Pin	Notas	Especificaciones
0 V CC (-)	1		0 V CC
Salida de CC	2	Se puede utilizar para conectar el equipo auxiliar. Nota: Este pin solo se puede utilizar como salida.	3,3 V CC Carga máx. = 50 mA
Entrada digital	3	Conéctela al pin 1 para activarla o déjala suelta (desconectada) para desactivarla	De 0 a 40 V CC máx.
Salida digital	4	Conectada al pin 1 cuando se activa y suelta (sin conectar) cuando está desactivada. Si se utiliza con una carga inductiva (por ejemplo, un relé), debe conectarse un diodo en paralelo a la carga como protección ante transitorios de tensión.	De 0 a 40 V CC máx., drenaje abierto, 100 mA

AXIS P33-VE Series Fixed Dome Network Camera

Conector de audio

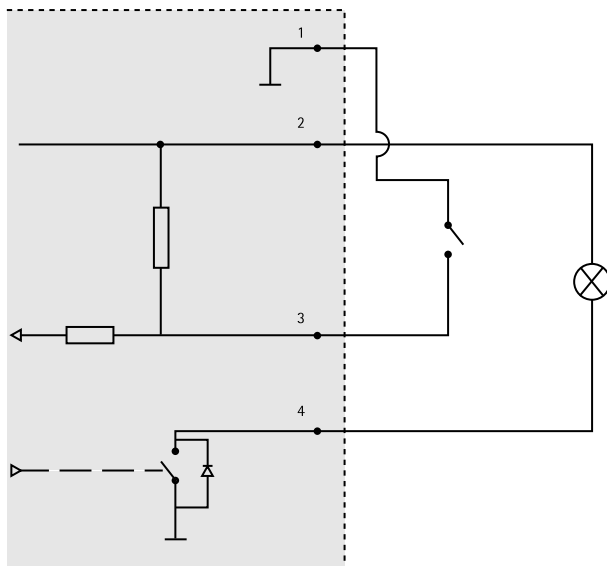
Conectores de audio de 3,5 mm (estéreo)



	1 Punta	2 Anillo	3 Manguito
Entrada de audio	Entrada de línea/micrófono		Tierra
Salida de audio	Salida de línea (mono)		Tierra

Diagramas de conexión

Conector de E/S



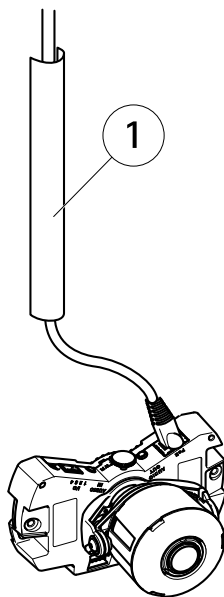
- 1 0 V CC (-)
- 2 Salida de CC: 3,3 V, 50 mA máx.
- 3 Entrada digital: de 0 a 40 V CC máx.
- 4 Salida digital: de 0 a 40 V CC máx., colector abierto, 100 mA

Instalación del hardware

Nota

- Este producto de Axis puede montarse tendiendo los cables a través de la pared o sobre esta.
- Este producto también puede equiparse con un conducto metálico para proteger el cableado cuando se tiende sobre la pared.

En la ilustración se muestra un modelo de interior.



1 Conducto metálico (no incluido)

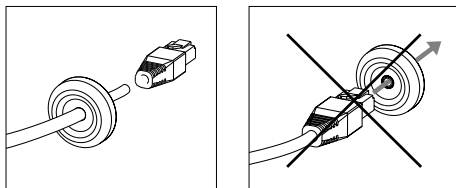
Instale el hardware en el siguiente orden:

1. Preparación del cable de red
2. Sustitución de la cubierta del domo transparente/ahumada (opcional)
3. Tendido de los cables
4. Instalación de la unidad de la cámara
5. Ajuste de la posición del objetivo
6. Ajuste del enfoque y del zoom
7. Finalización de la instalación

Preparación del cable de red

Nota

- No fuerce el conector de red en la junta.
- No perforo la junta con un cuchillo ni ningún objeto afilado.



Si se utiliza un cable distinto al que se proporciona, es necesario preparar un cable de red con una junta. Con cuidado, empuje el cable a través de la junta que se proporciona y acople un conector de red. Puede que sea necesario realizar un orificio en la junta con el destornillador Resitorx.

Sustitución de la cubierta del domo transparente/ahumada (opcional)

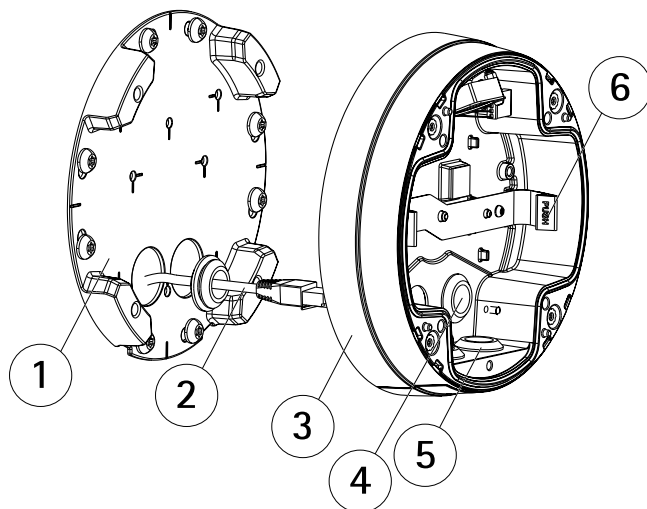
El producto de Axis se suministra con una cubierta opcional. Para sustituir la cubierta del domo:

1. Afloje los cuatro tornillos de debajo de la cubierta del domo que fijan el domo en su posición.
2. Sustituya el domo antiguo por el nuevo. Asegúrese de que la junta de goma se ajusta correctamente en su posición y apriete los tornillos.

Tendido de los cables

Los cables se pueden tender de los siguientes modos:

- A través de la pared, vea *Tendido de los cables a través de la pared en la página 113*
- A lo largo de la pared, vea *Preparación de la carcasa de la unidad en la página 113* y la *página Tendido de los cables a lo largo de la pared en la página 114*.



- 1 Soporte de montaje
- 2 Cable de red con junta
- 3 Carcasa de la unidad
- 4 Junta de pared
- 5 Junta inferior
- 6 Muelle

Tendido de los cables a través de la pared

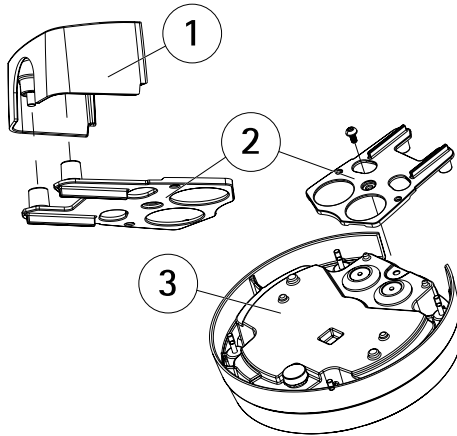
1. Utilice la plantilla de perforado para realizar cuatro orificios en la pared.
2. Tienda el cable de red —y si es preciso, el cable de audio y de E/S— a través de la pared y los orificios del soporte de montaje.
3. Coloque el soporte de montaje en la pared mediante los tornillos y tacos apropiados para el material de que esté hecha.
4. Separe los muelles para retirar la unidad de cámara de la carcasa de la unidad.
5. Retire las juntas de la pared de la carcasa de la unidad. Si solo hay un cable, retire solo una junta.
6. Tienda los cables a través de los orificios de la pared de la carcasa de la unidad.
7. Arrastre las juntas a lo largo de los cables y ajústelas a los orificios. Las juntas deben ajustarse perfectamente a los orificios sin que existan pliegues ni dobleces.
8. Apriete los cuatro tornillos para unir la carcasa de la unidad al soporte de montaje.

Preparación de la carcasa de la unidad

Si los cables se van a tender sobre la pared, prepare la carcasa de la unidad de la siguiente forma:

AXIS P33-VE Series Fixed Dome Network Camera

1. Retire la tapa lateral de la carcasa de la unidad quitando el tornillo.
2. Afloje los dos tornillos del blindaje de cable y separe la parte inferior.
3. Utilice el tornillo para ajustar la parte trasera del blindaje de cable a la carcasa de la unidad.



- 1 *Parte superior del blindaje de cable (accesorio opcional)*
- 2 *Parte inferior del blindaje de cable (accesorio opcional)*
- 3 *Carcasa de la unidad*

Tendido de los cables a lo largo de la pared

Nota

Para evitar problemas relacionados con la humedad, es recomendable tender los cables de la cámara desde abajo con los orificios del cable mirando hacia abajo.

1. Utilice la plantilla de perforado para realizar cuatro orificios en la pared.
2. Coloque el soporte de montaje en la pared utilizando cuatro tornillos apropiados para el material de la pared.
3. Separe los muelles para retirar la unidad de cámara de la carcasa de la unidad.
4. Retire las juntas inferiores de la carcasa de la unidad. Si solo hay un cable, retire solo una junta.
5. Coloque la carcasa de la unidad en el soporte de montaje y fijela mediante los cuatro tornillos.
6. Tire del cable de red y, si es preciso, del cable de audio y de E/S hacia arriba a través de los orificios inferiores de la carcasa.
7. Arrastre las juntas a lo largo de los cables y ajústelas a los orificios. Las juntas deben ajustarse perfectamente a los orificios sin que existan pliegues ni dobleces.

8. Apriete los dos tornillos para volver a unir la parte superior del blindaje de cable.

Instalación de la unidad de la cámara

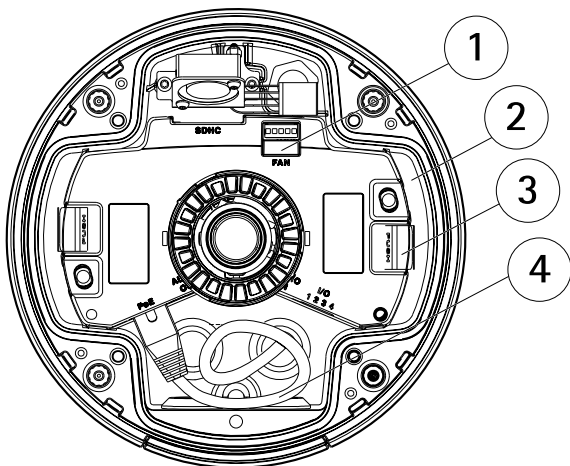
AVISO

Riesgo de fallo de funcionamiento del calefactor. Asegúrese de que el interruptor de debajo de la cámara esté configurado en **HEATER-POE CLASS 3** (CALEFACTOR PoE CLASE 3).

Nota

Tenga cuidado de no estirar el cable de red, o de doblarlo innecesariamente, ya que esto podría romperlo.

1. Conecte el cable de red a la cámara; y si es preciso, los cables de audio y de E/S. Es recomendable enrollar el cable de red en espiral como se muestra en la ilustración.
2. Inserte la tarjeta de memoria SD (opcional).
3. Separe los muelles de la carcasa de la unidad y ajuste la cámara en su posición.
4. Acople el conector del ventilador al conector de la unidad de cámara.



- 1 Conector del ventilador
- 2 Unidad de cámara
- 3 Muelle
- 4 Cable de red

AXIS P33-VE Series Fixed Dome Network Camera

Ajuste de la posición del objetivo

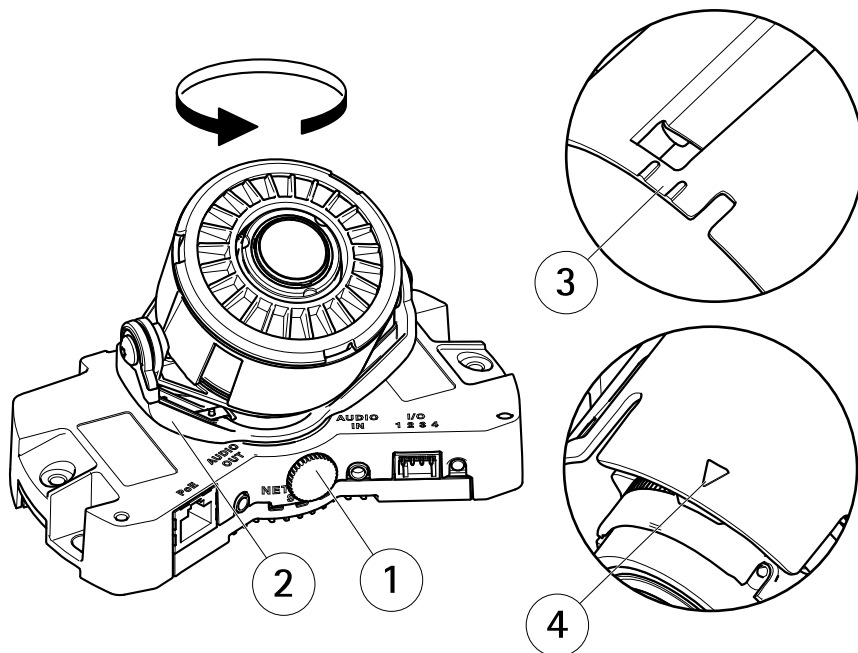
El objetivo se puede girar e inclinar para cubrir una determinada área de interés y ajustar la imagen de la vista en directo.

Rotación del objetivo

Nota

La marca de la cubierta del objetivo se encuentra orientada hacia arriba de forma predeterminada (montaje en pared).

1. Abra la página Live View (Vista en directo), vea *Acceso al producto en la página 119*.



- 1 Tornillo de bloqueo
- 2 Soporte del objetivo
- 3 Marca (diseño A)
- 4 Marca (diseño B)

2. Afloje el tornillo de bloqueo.

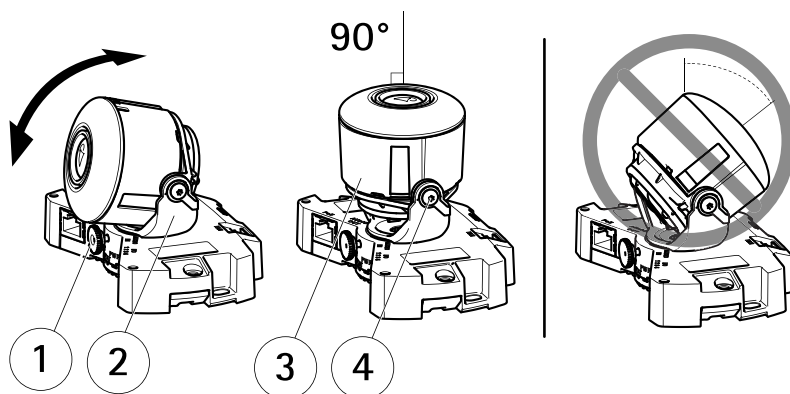
3. Consulte la página Live View (Vista en directo) y gire el soporte del objetivo para girar el objetivo 90° o 180°.
4. Una vez comprobado esto, apriete con cuidado el tornillo de bloqueo para fijar la posición del soporte del objetivo.

Inclinación del objetivo

AVISO

Válido para AXIS P3365-VE/P3367-VE/P3384-VE: el objetivo no debe inclinarse más de 90°; hacerlo puede ocasionar daños en el producto. Siga las instrucciones indicadas a continuación.

En la siguiente ilustración se muestra una variante de interior.



- 1 Tornillo de bloqueo
- 2 Soporte del objetivo
- 3 Objetivo
- 4 Tornillos

1. Abra la página Live View (Vista en directo), vea *Acceso al producto en la página 119*.
2. Afloje los dos tornillos.
3. Consulte la página Live View (Vista en directo) e incline el objetivo hasta la posición deseada.
4. Si el objetivo debe inclinarse más de 90°, realice lo siguiente:
 - Afloje el tornillo de bloqueo.
 - Gire el soporte del objetivo 180°.
 - Fije el tornillo de bloqueo.
 - Inclina el objetivo.

5. Apriete los dos tornillos.

Ajuste del enfoque y del zoom

AVISO

Si se ajustan el enfoque y el zoom manualmente, pueden producirse daños en el objetivo.

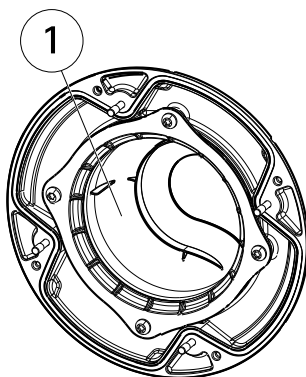
Nota

- Debido a la refracción del domo, la imagen puede aparecer ligeramente desenfocada una vez colocado. Para corregir esto, vaya a la página web Focus Adjustment (Ajuste del enfoque) en Setup (Configuración) > Basic Setup (Configuración básica) > Focus & Zoom (Enfoque y zoom) y ajuste de nuevo el enfoque.

Abra la página Focus Adjustment (Ajuste del enfoque) en la interfaz web en Setup (Configuración) > Basic Setup (Configuración básica) > Focus & Zoom (Enfoque y zoom) y siga las instrucciones en pantalla. Utilice la ventana de imagen para ajustar el enfoque y el zoom. Vea los archivos de la ayuda en línea para obtener más información.

Finalización de la instalación

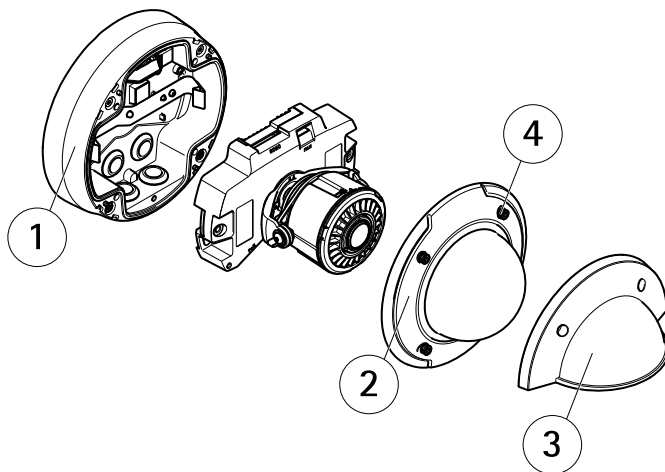
1. Gire la cubierta de protección negra dentro de la cubierta del domo para que no cubra el objetivo.



1 *Cubierta protectora negra*

2. Si es necesario, coloque el parasol en la cámara antes de fijar la cubierta del domo:
 - Retire los dos tornillos de la cubierta del domo.
 - Cambie las arandelas de los tornillos a los tornillos utilizados en el parasol y coloque el parasol.

3. Asegúrese de que la junta de goma se asienta correctamente sobre la cubierta del domo.
4. Limpie el domo con un paño seco y suave para eliminar el polvo y las huellas y use un ventilador para eliminar el polvo del objetivo.
5. Apriete los cuatro tornillos para fijar la cubierta del domo a la carcasa de la unidad.
6. Cuando la cubierta del domo esté colocada, asegúrese de que la cámara esté enfocada correctamente.



- 1 *Carcasa de la unidad*
- 2 *Cubierta del domo*
- 3 *Parasol*
- 4 *Tornillo y arandela*

La instalación se ha completado.

Acceso al producto

Se recomiendan AXIS IP Utility y AXIS Camera Management como métodos para buscar los productos de Axis en la red y asignarles direcciones IP en Windows®. Ambas aplicaciones son gratuitas y pueden descargarse de www.axis.com/techsup

El producto se puede utilizar con la mayoría de los sistemas operativos y navegadores. Los navegadores recomendados son

- Internet Explorer® con Windows®
- Safari® con OS X® y
- Chrome™ o Firefox® con otros sistemas operativos.

AXIS P33–VE Series Fixed Dome Network Camera

Para obtener más información sobre el uso del producto, consulte el Manual del usuario, disponible en www.axis.com.

Restablecimiento a la configuración predeterminada de fábrica

Importante

Hay que tener cuidado al restablecer la configuración predeterminada de fábrica. Todos los valores, incluida la dirección IP, se restablecerán a la configuración predeterminada de fábrica.

Nota

Las herramientas del software de instalación y gestión están disponibles en las páginas de asistencia técnica en www.axis.com/techsup.

Para restablecer el producto a la configuración predeterminada de fábrica:

1. Desconecte la alimentación del producto.
2. Mantenga pulsado el botón de control y vuelva a conectar la alimentación. Vea *Información general del hardware en la página 104*.
3. Mantenga pulsado el botón de control durante 15-30 segundos hasta que el indicador LED de estado parpadee en ámbar.
4. Suelte el botón de control. El proceso finaliza cuando el indicador LED de estado se pone verde. El producto se ha restablecido a la configuración predeterminada de fábrica. Si no hay ningún servidor DHCP disponible en la red, la dirección IP predeterminada es 192.168.0.90.
5. Utilice las herramientas del software de instalación y gestión para asignar una dirección IP, establecer la contraseña y acceder a la transmisión de vídeo.

También es posible restablecer los parámetros a los valores predeterminados de fábrica mediante la interfaz web. Para ello, vaya a **Setup > System Options > Maintenance (Configuración > Opciones del sistema > Mantenimiento)**.

Más información

El Manual de usuario se encuentra disponible en www.axis.com.

Visite www.axis.com/techsup para comprobar si existe un firmware actualizado disponible para su producto de red. Para ver la versión del firmware instalado actualmente, vaya a **Setup > About (Configuración > Acerca de)**.

Visite el centro de aprendizaje de www.axis.com/academy para consultar guías, tutoriales, seminarios web y cursos que pueden resultarle útiles.

Información de garantía

Para obtener más detalles sobre la garantía del producto Axis y la información relacionada con ella, consulte www.axis.com/warranty/

安全情報

本製品を設置する前に、このインストールガイドをよくお読みください。インストールガイドは、後で参照できるように保管しておいてください。

危険レベル

▲危険

回避しない場合、死亡または重傷につながる危険な状態を示します。

▲警告

回避しない場合、死亡または重傷につながるおそれのある危険な状態を示します。

▲注意

回避しない場合、軽傷または中程度の怪我につながるおそれのある危険な状態を示します。

注記

回避しない場合、器物の破損につながるおそれのある状態を示します。

その他のメッセージレベル

重要

製品を正しく機能させるために不可欠な重要情報を示します。

注意

製品を最大限に活用するために役立つ有用な情報を示します。

安全手順

注記

- 本製品は、お使いになる地域の法律や規制に準拠して使用してください。
- 本製品は乾燥した換気の良い環境に保管してください。
- 本製品に衝撃または強い圧力を加えないでください。
- 本製品を不安定なブラケット、表面、または壁に設置しないでください。
- 本製品を設置する際には、適切な工具のみを使用してください。電動工具を使用して過剰な力をかけると、製品が損傷することがあります。
- 化学薬品、腐食剤、噴霧式クリーナーは使用しないでください。
- 清掃には、きれいな水に浸した清潔な布を使用してください。
- 製品の技術仕様に準拠したアクセサリーのみを使用してください。これらのアクセサリーは、Axisまたはサードパーティから入手できます。
- Axisが提供または推奨する交換部品のみを使用してください。
- 製品を自分で修理しないでください。修理については、Axisサポートまたは販売代理店にお問い合わせください。

輸送

注記

- 本製品を運搬する際は、製品が損傷しないよう、元の梱包か同等の梱包を使用してください。

バッテリー

本製品は、内部リアルタイムクロック (RTC) 用電源として、3.0 V BR/CR2032 リチウムバッテリーを使用します。このバッテリーは、通常条件下で最低5年間使用できます。

バッテリーが低電力状態になると、RTCの動作に影響し、電源を入れるたびにRTCがリセットされます。バッテリーの交換が必要になると、製品のサーバーレポートにログメッセージが表示されます。サーバーレポートの詳細については、製品の設定ページを参照するか、Axisサポートまでお問い合わせください。

必要な場合以外はバッテリーを交換しないでください。バッテリーの交換が必要な場合は、Axisサポート (www.axis.com/techsup) までご連絡ください。

▲警告

- バッテリーは、正しく交換しないと爆発する危険があります。
- 交換用バッテリーとしては、同一品またはAxisが推奨するバッテリーのみを使用してください。
- 使用済みバッテリーは、地域の規制またはバッテリーメーカーの指示に従って廃棄してください。

ドームカバー

注記

- 画質低下の原因となるので、ドームカバーに傷や指紋を付けたり、損傷しないように注意してください。可能であれば、設置が完了するまでドームカバーに保護プラスチックを付けたままにしてください。
- 肉眼で見て汚れがない場合は、ドームカバーを掃除しないでください。また、絶対に表面を磨かないでください。過度な清掃により、表面が破損することがあります。
- ドームカバーの通常のクリーニングには、磨耗防止タイプの無溶媒の中性石鹸またはきれいな水で薄めた洗剤と、柔らかい清潔な布を使用することをお勧めします。洗浄後、きれいなぬるま湯でよくすすいでください。水滴の跡が付かないよう、清潔な柔らかい布で拭いて乾かしてください。
- 強力な洗剤、ガソリン、ベンジン、アセトンなどは絶対に使用しないでください。また直射日光が当たる場所や気温が上昇する場所での、ドームカバーの清掃は避けてください。

インストールガイド

このインストールガイドでは、AXIS P3364-VE/P3365-VE/AXIS P3367-VE/AXIS P3384-VEネットワークカメラをお使いのネットワークにインストールする手順について説明します。製品の使用の詳細については、Axisのホームページ (www.axis.com) でユーザーズマニュアルを参照してください

設置手順

1. パッケージの内容、ツールなど、設置に必要な物がそろっているかを確認します。 127ページを参照してください。
2. ハードウェアの概要を確認します。 128ページを参照してください。
3. 仕様を確認します。 132ページを参照してください。
4. ハードウェアを設置します。 135ページを参照してください。
5. 製品にアクセスします。 143ページを参照してください。

パッケージの内容

- AXIS P3364-VE/P3365-VE/P3367-VE/P3384-VE固定ドームネットワークカメラ
- ガスケット付きネットワークケーブル (5 m)
- コネクタキット
- トルクスドライバー
- ガスケット付きスモークドームカバー
- 取り付けブラケット
- ウェザーシールド
- 印刷物
 - インストールガイド (本書)
 - ドリルテンプレート
 - 予備のシリアル番号ラベル×2
 - AVHS認証キー

オプションアクセサリ

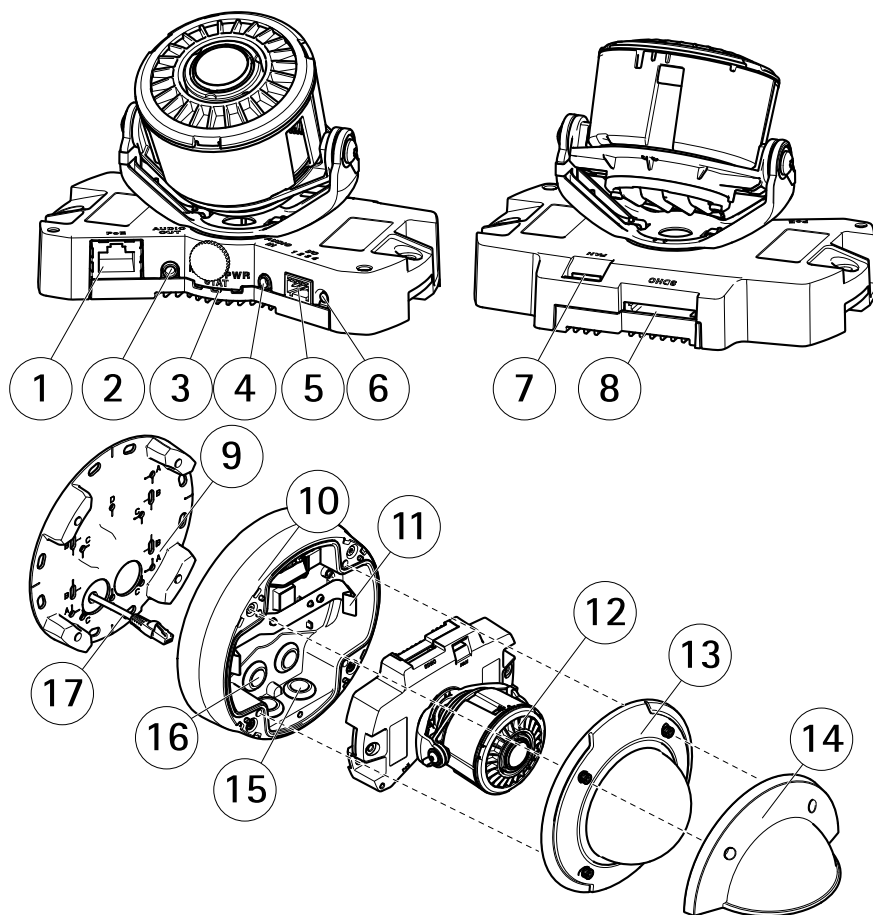
- マルチユーザーデコーダライセンスパック
- AXIS T8414インストレーションディスプレイ
- AXIS PoEミッドスパン
- AXIS T90Bイルミネーター

AXIS P33-VE Series Fixed Dome Network Camera

- IP51準拠天井埋め込みキット
- ペンダントキット
- ケーブルシールド
- ウェザーシールド付きペンダントアダプターキット
- 音声I/Oケーブル(ガスケット取り付け済み)

利用可能なアクセサリについては、www.axis.comを参照してください

ハードウェアの概要

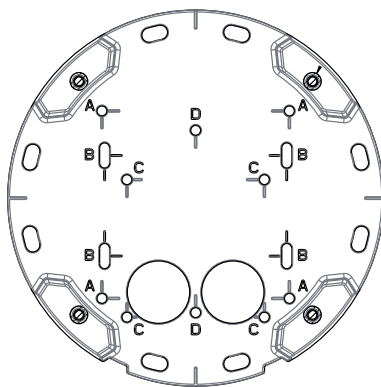


1 ネットワークコネクタ

- 2 音声出力
- 3 LEDインジケータ (ネットワーク、ステータス、電源)
- 4 音声入力
- 5 I/Oコネクタ
- 6 コントロールボタン
- 7 ファンコネクタ
- 8 SDカードスロット
- 9 取り付けブラケット
- 10 ユニットケーシング
- 11 スプリング
- 12 カメラヒーター
- 13 ドームカバー
- 14 ウェザーシールド
- 15 底面の穴
- 16 側面の穴
- 17 ネットワークケーブル

取り付けブラケット

取り付けブラケットには、4つの取り付けパターンがあります (A、B、C、D)。



取り付けパターンは、以下の取り付けオプションの基準に従って設定されています。

- A: 4インチの正方形ボックス
- B: 標準サイズの米国ダブルギャングジャンクションボックス
- C: 4インチの八角形ボックス
- D: 標準サイズの米国シングルギャングジャンクションボックス

AXIS P33-VE Series Fixed Dome Network Camera

LEDインジケーター

注意

- ステータスLEDは、正常動作時に消灯させることができます。設定は、**[Setup - System Options - Ports & Devices - LED] (設定 - システムオプション - ポートとデバイス - LED)**で行います。詳細については、オンラインヘルプを参照してください。
- ステータスLEDは、イベントの発生時に点滅させることができます。
- ステータスLEDを点滅させ、本製品を識別できるように設定することができます。設定は、**[Setup > System Options > Maintenance] (設定 > システムオプション > 保守)**で行います。

ステータスLED	説明
緑	正常動作であれば緑色に点灯。
黄	起動時、設定の復元時に点灯します。
赤	ファームウェアのアップグレードに失敗すると、赤色で点滅します。

ネットワークLED	説明
緑	100 Mbit/sネットワークに接続している場合、点灯します。ネットワークパケットを送受信した場合、点滅します。
黄	10 Mbit/sネットワークに接続している場合、点灯します。ネットワークパケットを送受信した場合、点滅します。
無点灯	ネットワーク接続なし。

電源LED	説明
緑	正常動作。
黄	ファームウェアアップグレード中は緑と黄の交互点滅。

コネクタとボタン

仕様と動作条件については、132ページを参照してください。

ネットワークコネクタ

RJ45イーサネットコネクタ、Power over Ethernet (PoE) 対応。

注記

本製品を使用する場所の地域条例、環境、電気的条件によっては、シールドネットワークケーブル (STP) の使用が推奨または必須になります。本製品をネットワークに接続して屋外または電氣的に厳しい環境に配線する場合は、用途に合ったネットワークケーブルを使用してください。ネットワーク装置がメーカーの指示どおりに設置されていることを確認します。法的要件については、を参照してください。

I/Oコネクタ

外部装置を接続し、カメラに対するいたずらの警告、動体検知、イベントトリガー、低速度撮影、アラーム通知などを使用することができます。I/Oコネクタは、0V DC基準点と電力 (DC出力) に加えて、以下のインターフェースを提供します。

- **デジタル出力** – リレーやLEDなどの外部デバイスを接続します。接続されたデバイスは、VAPIX®アプリケーションプログラミングインターフェース (API)、[Live View] (ライブビュー) ページの出力ボタン、アクションルールを使用してアクティブにすることができます。アラームデバイスがアクティブな場合、出力がアクティブと表示されます (**System Options > Port & Devices (システムオプション > ポートとデバイス)** で表示)。
- **デジタル入力** – オープンサーキットとクローズサーキットの切り替えが可能なデバイスを接続するためのアラーム入力。信号を受取ると状態が変化し、入力がアクティブになります (**System Options > Ports & Devices (システムオプション > ポートとデバイス)** で表示)。

音声コネクタ

本製品は、以下の音声コネクタを搭載しています。

- **音声入力 (ピンク)** – モノラルマイクロフォンまたはライン入力モノラル信号用3.5 mm入力。
- **音声出力 (緑)** – 3.5 mm音声 (ラインレベル) 出力 (パブリックアドレス (PA) システムまたはアンプ内蔵アクティブスピーカーに接続可能)。音声出力には、ステレオコネクタを使用する必要があります。

音声入力には、ステレオ信号の左チャンネルが使用されます。

AXIS P33-VE Series Fixed Dome Network Camera

SDカードスロット

注記

- SDカード損傷の危険があります。SDカードの挿入と取り外しの際には、鋭利な工具を使用したり、過剰な力をかけないでください。
- データ損失の危険があります。データが破損しないように、SDカードはマウント解除してから取り外す必要があります。SDカードをアンマウントするには、[Setup] (設定) > [System Options] (システムオプション) > [Storage] (ストレージ) > [SD Card] (SDカード) を選択し、[Unmount] (アンマウント) をクリックします。

本製品は、SD/SDHC/SDXCカードに対応しています (別売)。

推奨するSDカードについては、www.axis.comを参照してください

コントロールボタン

コントロールボタンの位置については、128ページの、ハードウェアの概要を参照してください。

コントロールボタンは、以下の用途で使用します。

- 製品を工場出荷時の設定にリセットする。144ページを参照してください。
- AXIS Video Hosting SystemサービスまたはAXIS Internet Dynamic DNSサービスに接続する。これらのサービスの詳細については、ユーザーズマニュアルを参照してください。

仕様

動作条件

本製品は屋外対応モデルです。

製品	等級	温度	湿度
AXIS P3364-VE AXIS P3365-VE AXIS P3367-VE AXIS P3384-VE	IEC 62262 IK10 NEMA 250 Type 4X	-40 ° C ~ 55 ° C	10 ~ 100% RH (結露可)

消費電力

注記

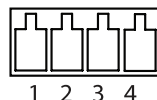
ヒーターの故障リスク。カメラ底部のスイッチがHEATER-PoE CLASS 3に設定されていることを確認します。

製品	PoE
AXIS P3364-VE AXIS P3365-VE AXIS P3367-VE AXIS P3384-VE	Power over Ethernet (PoE) IEEE 802.3af/802.3at Type 1 Class 3

コネクタ

I/Oコネクタ

4ピンターミナルブロック



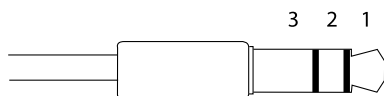
接続例の図については、134ページの、接続図を参照してください。

機能	ピン	備考	仕様
0 V DC (-)	1		0 V DC
DC出力	2	補助装置の電源供給に使用できます。 注: このピンは、電源出力としてのみ使用できます。	3.3 V DC 最大負荷 = 50 mA
デジタル入力	3	動作させるにはピン1に接続し、動作させない場合はフロート状態(未接続)のままにします。	0~40 V DC (最大)
デジタル出力	4	動作させるにはピン1に接続し、動作させない場合はフロート状態(未接続)にします。誘導負荷(例: リレー)とともに使用する場合は、過渡電圧から保護するため、ダイオードを負荷と並列に接続する必要があります。	0~40 V DC (最大)、 オープンドレイン、 100 mA

AXIS P33-VE Series Fixed Dome Network Camera

音声コネクタ

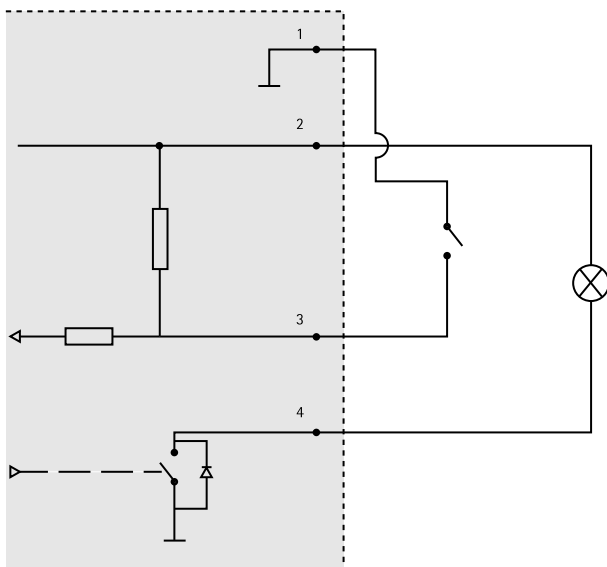
3.5 mm音声コネクタ (ステレオ)



	1 チップ	2 リング	3 スリーブ
音声入力	マイクロフォン/ライン入力		グラウンド
音声出力	ライン出力 (モノラル)		グラウンド

接続図

I/Oコネクタ



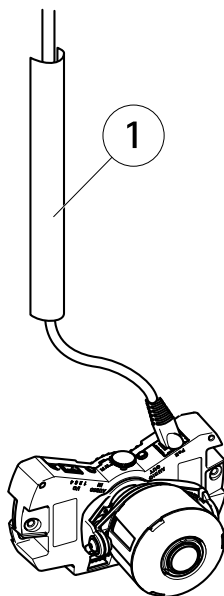
- 1 0 VDC (-)
- 2 DC出力3.3 V、最大50 mA
- 3 デジタル出力0~最大40 VDC
- 4 デジタル出力0~40 VDC (最大)、オープンドレイン、100 mA

ハードウェアの設置

注意

- 本製品は、ケーブルを壁に沿わせたり、壁の中を通して配線し、設置することができます。
- ケーブルを壁に沿って配線する場合、ケーブルを保護する金属コンジットを装着することができます。

図は屋内向けモデルを示しています。



1 金属製のコンジット (非付属品)

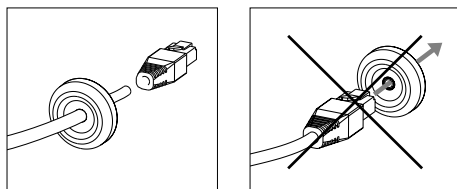
ハードウェアの設置は、以下の順序で実施してください。

1. ネットワークケーブルの準備
2. クリア/スモークドームカバーを交換する (オプション)
3. ケーブルの配線
4. カメラユニットの設置
5. レンズの位置の調整
6. フォーカスとズームの調整
7. 設置の完了

ネットワークケーブルの準備

注意

- ネットワークコネクタをガスケットに通さないでください。
- ナイフやその他の鋭利な工具を使用してガスケットに穴を開けないでください。



付属のケーブル以外のケーブルを使用する場合は、ネットワークケーブルにガスケットを装着する必要があります。ケーブルを付属のガスケットを通してゆっくり押し、ネットワークコネクタを取り付けます。ガスケットに、いじり止めヘックスローブドライバーを使用して穴をあける必要がある場合があります。

クリア/スモークドームカバーを交換する (オプション)

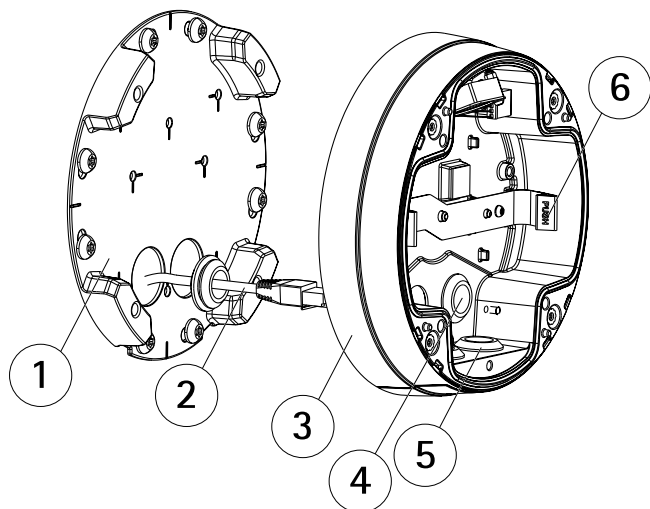
本製品では、オプションのドームカバーを用意しています。ドームカバーを交換するには、次の手順に従います

1. ドームカバーを固定する4本のネジを緩めます。
2. 古いドームカバーを新しいドームカバーと交換します。ゴム製ガスケットがしっかり装着されていることを確認し、ネジを締めます。

ケーブルの配線

ケーブルは、以下の方法で配線できます。

- 壁を通して配線 (137ページの、壁の中を通したケーブル配線を参照)。
- 壁に沿って配線 (138ページの、ユニットケーシングの準備およびページ138ページの、壁を通すケーブル配線を参照)。



- 1 取り付けブラケット
- 2 ガスケット付きネットワークケーブル
- 3 ユニットケーシング
- 4 壁面ガスケット
- 5 底部のガスケット
- 6 スプリング

壁の中を通したケーブル配線

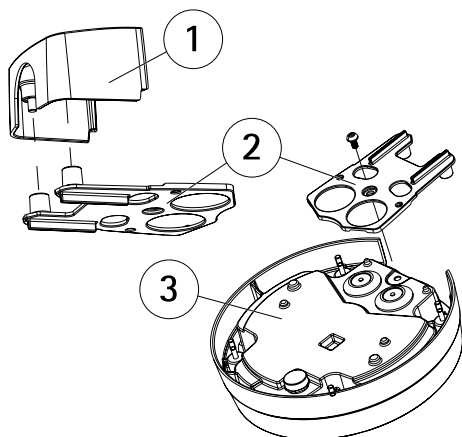
1. ドリルテンプレートを使用して、壁に4つ穴を開けます。
2. ネットワークケーブルや、必要に応じて、I/Oおよび音声ケーブルも壁と取り付けブラケットの穴を通して配線します。
3. 壁の材質に適した4本のネジやプラグを使用して、取り付けブラケットを壁に取り付けます。
4. スプリングを押して、ユニットケーシングからカメラユニットを取り外します。
5. ユニットケーシングから壁面ガスケットを取り外します。ケーブルが1本だけの場合は、ガスケットを1つだけ取り外します。
6. ケーブルを壁の穴に通して配線します。
7. ケーブルに沿ってガスケットを移動させ、側孔にはめ込みます。ガスケットは、折ったり、曲げたりせずに、孔にぴったりとはめ込みます。
8. ユニットケーシングを、4本のネジで取り付けブラケットに装着します。

AXIS P33-VE Series Fixed Dome Network Camera

ユニットケーシングの準備

ケーブルを壁沿いに配線する場合は、次の手順に従ってユニットケースの準備を行います。

1. ユニットケーシングのサイドリッドを、ネジを外して取り外します。
2. ケーブルシールドの2本のネジをゆるめ、底部を取り外します。
3. ケーブルシールドの底部をネジでユニットケーシングに取り付けます。



- 1 ケーブルシールド(オプションのアクセサリ)の上部
- 2 ケーブルシールド(オプションのアクセサリ)の底部
- 3 ユニットケーシング

壁を通すケーブル配線

注意

湿気に関係する問題を回避するため、ケーブル孔を下に向け、下からカメラにケーブルを配線することをお勧めします。

1. ドリルテンプレートを使用して、壁に4つ穴を開けます。
2. 壁の材質に適した4本のネジを使用して、取り付けブラケットを壁に取り付けます。
3. スプリングを押して、ユニットケーシングからカメラユニットを取り外します。
4. ユニットケーシングの底部にあるガスケットを取り外します。ケーブルが1本だけの場合は、ガスケットを1つだけ取り外します。
5. 取り付けブラケット上にユニットケーシングを置き、4本のネジで取り付けます。

6. ネットワークケーブルや、必要に応じて、I/Oおよび音声ケーブルを、ユニットケーシングの底面の穴を通して引き込みます。
7. ケーブルに沿ってガスケットを移動させ、側孔にはめ込みます。ガスケットは、折ったり、曲げたりせずに、孔にぴったりとはめ込みます。
8. ケーブルシールドの上部を、2本のネジで再度取り付けます。

カメラユニットの設置

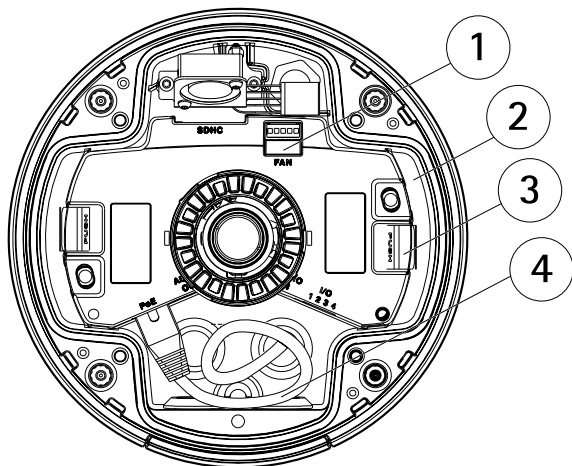
注記

ヒーターの故障リスク。カメラ底部のスイッチがHEATER-PoE CLASS 3に設定されていることを確認します。

注意

ネットワークケーブルが破損する可能性があるため、不必要にネットワークケーブルを伸ばしたり、曲げたりしないでください。

1. ネットワークケーブルをカメラユニットに接続します。必要に応じて、音声、I/O用のケーブルも接続します。ネットワークケーブルは、図のように環状に曲げることをお勧めします。
2. SDメモリーカードを装着します（オプション）。
3. ユニットケーシング内のスプリングを横に引き、カメラユニットをカチツとはめ込みます。
4. ファンコネクタをカメラユニットのコネクタに接続します。



- 1 ファンコネクタ
- 2 カメラユニット

- 3 スプリング
- 4 ネットワークケーブル

レンズの位置の調整

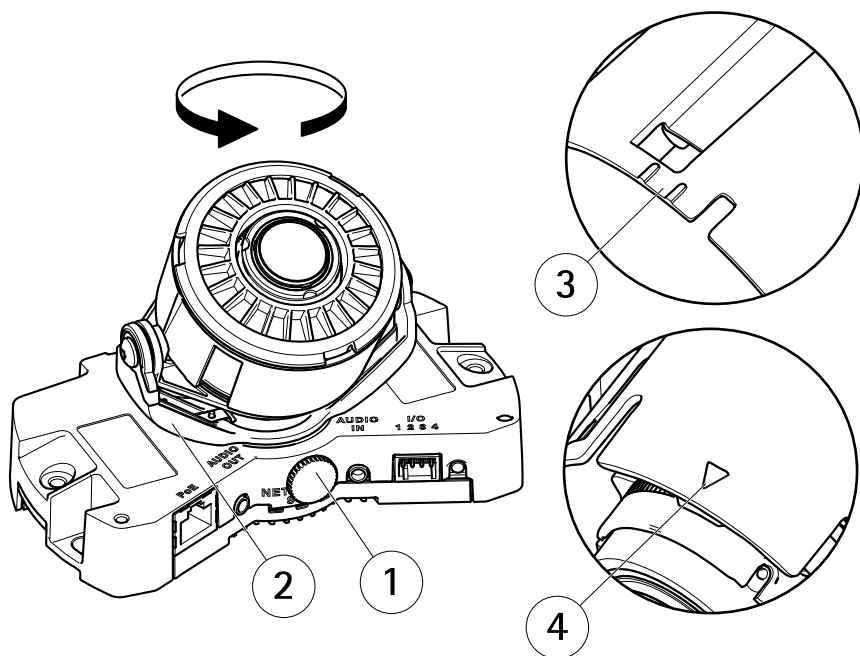
レンズを回転およびチルトさせることで、特定の対象範囲をカバーしたり、ライブビュー画像を調節できます。

レンズの回転

注意

既定ではレンズカバーのマークは上方向に向いています (壁面取付)。

1. ライブビューページを開き、143ページの、製品へのアクセスを参照してください。



- 1 固定ネジ
- 2 レンズホルダー
- 3 マーク (デザインA)
- 4 マーク (デザインB)

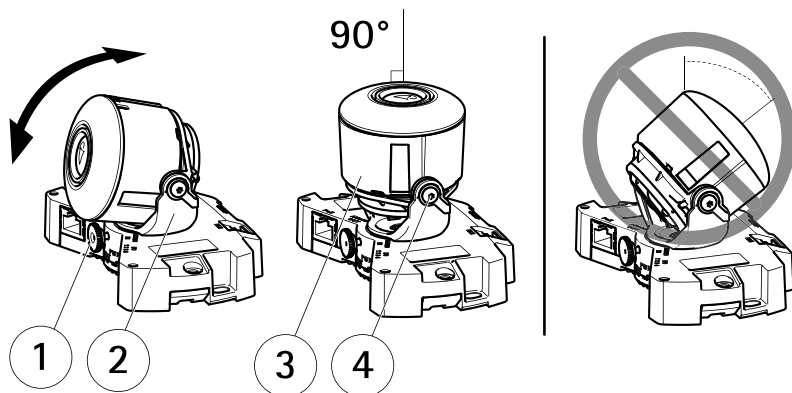
2. 固定ネジを緩めます。
3. ライブビューページを確認し、レンズホルダーを回してレンズを90°または180°回転させます。
4. 確認後、固定ネジを静かに締め、レンズホルダーの位置を固定します。

レンズのチルト

注記

AXIS P3365-VE/P3367-VE/P3384-VE が対象: 90° を超えてレンズをチルトしないでください。製品が破損する場合があります。次の手順に従います。

下図は屋内向けシリーズを示しています。



- 1 固定ネジ
- 2 レンズホルダー
- 3 レンズ
- 4 ネジ

1. ライブビューページを開き、143ページの、製品へのアクセスを参照してください。
2. 2本のネジを緩めます。
3. ライブビューページを確認し、レンズを希望する位置までチルトさせます。
4. 90° を超えてレンズをチルトさせる必要がある場合は、次の手順に従います。
 - 固定ネジを緩めます。
 - レンズホルダーを180° 回転させます。
 - 固定ネジを締めます。

- レンズをチルトします。
5. 2本のネジを締めます。

フォーカスとズームの調整

注記

ピントとズームを手動で調整すると、レンズが破損する場合があります。

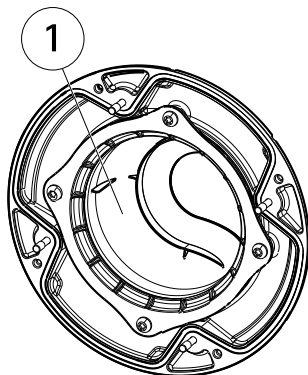
注意

- ドームを取り付けると、ドームによる光の屈折のため、ピントが若干ずれることがあります。この問題を修正するには、**[Setup (設定)] > [Basic Setup (基本設定)] > [Focus & Zoom (フォーカスとズーム)]** の **[Focus Adjustment (フォーカスの調節)]** Web ページを開き、フォーカスを再度調節してください。

Webインターフェースで**[Setup (設定)] > [Basic Setup (基本設定)] > [Focus & Zoom (フォーカスとズーム)]** の **[Focus Adjustment (フォーカスの調節)]** ページを開き、画面の指示に従います。映像ウィンドウを使用して、ピントとズームを調節します。詳細については、オンラインヘルプのファイルを参照してください。

設置の完了

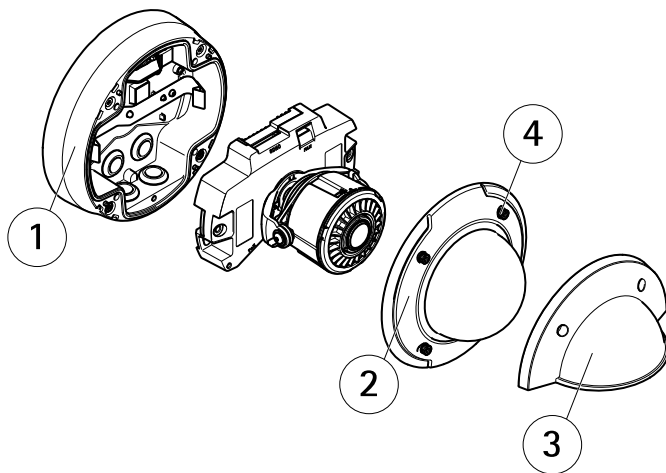
1. ドームカバーの内側にある黒いシールドを回転させて、レンズを覆わないようにします。



1 黒いシールド

2. 必要に応じて、ウェザーシールドをカメラに取り付けてから、ドームカバーを取り付けます。
 - ドームカバーから2本のネジを取り外します。

- 取り外したネジのワッシャーを、ウェザーシールドのネジに移し、ウェザーシールドを装着します。
3. ゴム製ガスケットがドームカバーにしっかり固定されていることを確認します。
 4. 乾いた柔らかい布でドームを拭い、埃と指紋を除去します。ブローアを使用して、レンズから埃を吹き飛ばします。
 5. 4本のネジを締めてドームカバーをユニットケーシングに取り付けます。
 6. ドームカバーを取り付け、カメラのフォーカスが適切であることを確認します。



- 1 ユニットケーシング
- 2 ドームカバー
- 3 ウェザーシールド
- 4 ネジとワッシャー

これで、カメラの設置は完了です。

製品へのアクセス

ネットワーク上でアクシス製品を検索したり、Windows®でそれにIPアドレスを割り当てるには、AXIS IP UtilityまたはAXIS Camera Managementの使用をお勧めします。いずれのアプリケーションも無料で、www.axis.com/techsupからダウンロードできます

本製品は、ほとんどのオペレーティングシステムとブラウザでご利用いただけます。推奨ブラウザは以下のとおりです。

AXIS P33-VE Series Fixed Dome Network Camera

- Internet Explorer® (Windows®の場合)
- Safari® (OS X®の場合)
- Chrome™またはFirefox® (その他のオペレーティングシステムの場合)

製品の使用の詳細については、アクシスのホームページ (www.axis.com) でユーザーズマニュアルを参照してください

工場出荷時の設定にリセットする

重要

工場出荷時の設定へのリセットは慎重に行ってください。工場出荷時の設定へのリセットを行うと、IPアドレスを含むすべての設定が工場出荷時の値にリセットされます。

注意

www.axis.com/techsupのサポートページに、インストール・管理ソフトウェアが用意されています。

本製品を工場出荷時の設定にリセットするには、以下の手順を実行します。

1. 本製品の電源を切ります。
2. コントロールボタンを押し続けながら電源を再投入します。「128ページの、ハードウェアの概要」を参照してください。
3. ステータスLEDインジケーターが黄色に点滅するまで、コントロールボタンを15～30秒間押し続けます。
4. コントロールボタンを離します。プロセスが完了すると、ステータスLEDが緑色に変わります。これで本製品は工場出荷時の設定にリセットされました。ネットワーク上に利用可能なDHCPサーバーがない場合、デフォルトのIPアドレスは192.168.0.90になります。
5. インストール・管理ソフトウェアを使用して、IPアドレスの割り当て、パスワードの設定、ビデオストリームへのアクセスを行います。

Webインターフェースを使用して、各種パラメーターを工場出荷時の設定に戻すこともできます。[Setup - System Options - Maintenance] (設定 - システムオプション - 保守) を選択します。

関連情報

ユーザーズマニュアルは、www.axis.comで入手できます。

www.axis.com/techsupにアクセスして、ご使用のネットワーク製品の新しいファームウェアがリリースされていないかを確認してください。現在インストールされているファームウェアのバージョンを確認するには、[Setup - About] (設定 - バージョン情報) を参照してください。

Axisラーニングセンター (www.axis.com/academy) にアクセスしてください。役に立つトレーニング、ウェブセミナー、チュートリアル、ガイドをご用意しています。

保証情報

Axisの製品保証と関連情報については、www.axis.com/warrantyをご覧ください

