

INSTALLATION GUIDE

AXIS M1004-W Network Camera

About this Document

This document includes instructions for installing AXIS M1004-W on your network. Previous experience of networking will be beneficial when installing the product.

Legal Considerations

Video and audio surveillance can be prohibited by laws that vary from country to country. Check the laws in your local region before using this product for surveillance purposes. This product includes one (1) H.264 decoder license. To purchase further licenses, contact your reseller.

Intellectual Property Rights

In the product described in this document. In particular, and without limitation, these intellectual property rights may include one or more of the patents listed at <http://www.axis.com/patent.htm> and one or more additional patents or pending patent applications in the US and other countries.

This product contains licensed third-party software. See the menu item "About" in the product's user interface for more information.

This product contains source code copyright Apple Computer, Inc., under the terms of Apple Public Source License 2.0 (see <http://www.opensource.apple.com/apsl>). The source code is available from <http://developer.apple.com/darwin/projects/bonjour/7>

Trademark Acknowledgments

Apple, Boa, Bonjour, Ethernet, Internet Explorer, Linux, Microsoft, Mozilla, Real, SMPTE, QuickTime, UNIX, Windows, Windows Vista and WWW are registered trademarks of the respective holders. Java and all Java-based trademarks and logos are

trademarks or registered trademarks of Oracle and/or its affiliates. UPnP™ is a certification mark of the UPnP™ Implementers Corporation. WPA, WPA2 and Wi-Fi Protected Setup are marks of the Wi-Fi Alliance.

Regulatory Information

Europe - **CE 1177**

This product complies with the applicable CE marking directives and harmonized standards:

- Electromagnetic Compatibility (EMC) Directive 2004/108/EC. See
- Electromagnetic Compatibility (EMC), on page 2.
- Radio and Telecommunications Terminal Equipment (R & TTE)
- Directive 1999/5/EC. See Radio Transmission, on page 3.
- Low Voltage (LVD) Directive 2006/95/EC. See Safety, on page 4.
- Restrictions of Hazardous Substances (RoHS) Directive 2011/65/EU.

See Disposal and Recycling, on page 4. A copy of the original declaration of conformity may be obtained from Axis Communications AB, Emdalavägen 14, SE-223 69 Lund.

Electromagnetic Compatibility (EMC)

This equipment has been designed and tested to fulfill applicable standards for:

- Radio frequency emission when installed according to the instructions and used in its intended environment.

Immunity to electrical and electromagnetic phenomena when

installed according to the instructions and used in its intended environment.

USA – This equipment has been tested using a shielded network cable (STP) and found to comply with the limits for a Class B digital device, pursuant to part 15 of the FCC Rules. These limits are designed to provide reasonable protection against harmful interference in a residential installation. This equipment generates, uses and can radiate radio frequency energy and, if not installed and used in accordance with the instructions, may cause harmful interference to radio communications. However, there is no guarantee that interference will not occur in a particular installation. If this equipment does cause harmful interference to radio or television reception, which can be determined by turning the equipment off and on, the user is encouraged to try to correct the interference by one or more of the following measures:

- Reorient or relocate the receiving antenna.
- Increase the separation between the equipment and receiver.
- Connect the equipment into an outlet on a circuit different from that to which the receiver is connected.
- Consult the dealer or an experienced radio/TV technician for help.

Canada – This Class B digital apparatus complies with Canadian ICES-003.

Europe – This digital equipment fulfills the requirements for RF emission according to the Class B limit of EN 55022.

This product fulfills the requirements for immunity according to EN 61000-6-1 residential, commercial and light-

industrial environments.

This product fulfills the requirements for immunity according to EN 61000-6-2 industrial environments.

This product fulfills the requirements for immunity according to EN 55024 residential and commercial environments.

Australia

This digital equipment fulfills the requirements for RF emission according to the Class B limit of AS/NZS CISPR 22.

Korea – 이 기기는 가정용(Б급) 전자파적합기기로서 주로 가정에서 사용하는 것을 목적으로 하며, 모든 지역에서 사용할 수 있습니다.

Japan – この装置は、クラスB 情報技術装置です。この装置は、家庭環境で使用することを目的としていますが、この装置がラジオやテレビジョン受信に近接して使用されると、受信障害を引き起こすことがあります。取扱説明書に従って正しい取り扱いをして下さい。

Radio Transmission

This equipment may generate or use radio frequency energy. The user could lose the authority to operate this equipment if an unauthorized change or modification is made.

USA

This device complies with Part 15 of the FCC Rules. Operation is subject to the following two conditions: (1) this device may not cause harmful interference, and (2) this device must accept any interference received, including interference that may cause undesirable operation.

This product complies with FCC radiation exposure limits for an uncontrolled environment. Avoid operating this product at a distance less than 20 cm (7.9 in.) from the user.

Canada

This device complies with Industry

Canada licence-exempt RSS standard(s). Operation is subject to the following two conditions: (1) this device may not cause interference, and (2) this device must accept any interference, including interference that may cause undesired operation of the device.

This product complies with IC radiation exposure limits for an uncontrolled environment. Avoid operating this product at a distance less than 20 cm (7.9 in.) from the user.

Brazil

Este produto está homologado pela ANATEL, de acordo com os procedimentos regulamentados pela Resolução 242/2000 e atende aos requisitos técnicos aplicados. Este equipamento opera em caráter secundário, isto é, não tem direito a proteção contra interferência prejudicial, mesmo de estações do mesmo tipo, e não pode causar interferência a sistemas operando em caráter primário. Para maiores informações, consulte o site da ANATEL www.anatel.gov.br

Europe

Hereby, Axis Communications AB declares that this product is in compliance with the essential requirements and other relevant provisions of Directive 1999/5/EC. A copy of the original declaration of conformity may be obtained from Axis Communications AB, Emdalavägen 14, SE-223 69 Lund. Australia/New Zealand This digital equipment fulfills the requirements of the Radio Communications Standard AS/NZS 4771.

Japan

This product complies with Technical Regulations Conformity Certification of Specified Radio Equipment.

Korea

제품 사양, 주파수: 802.11b/g/n(H20), 2412~2472 MHz, 온도: 0 ~ +40°C, 전원: DC 5V, 1.5A

적합성 평가 표시, 적합성 평가를 받은 자의 상호: AXIS COMMUNICATIONS AB, 기자의 명의 (모델명): 무선데이터통신시스템용 무선기기 (AXIS M1004-W), 제조연월: 별도 표시, 제조자 / 제조국 가: AXIS COMMUNICATIONS AB / Sweden, AIS 정보: Axis Communications AB 한국지사, 주소: 서울특별시 금천구 가산동 685번지 가산 Digital Empire 1012호, TEL: 82-2-780-9636, FAX: 82-2-6280-9636.

Taiwan

【技術聲明】 (技術聲明 ST/AVP) (ETW04-F) Statement

第十二條

製造或運銷符合之低功率射頻電機，須經許可，否則，應被廢棄或作廢止使用或變更頻率，加大功率或變更原設計之特性及功能。

第十條

低功率射頻電機之使用不得影響國防、航空及地下鐵道設備，並應符合干擾限制等，應依標準及法規辦理。

第十四條 低功率射頻電機之使用不得干擾廣播、電視及射頻電機通訊及合法通訊之工業、科學及醫療用途等射頻電機設備之干擾。

Safety

This product complies with IEC/EN/UL 60950-1, Safety of Information Technology Equipment. The power supply used with this product shall fulfill the requirements for Safety Extra Low Voltage (SELV) and Limited Power Source (LPS) according to IEC/EN/UL 60950-1.

Equipment Modifications

This equipment must be installed and used in strict accordance with the instructions given in the user documentation. This equipment contains no user-serviceable components. Unauthorized equipment changes or modifications will invalidate all applicable regulatory certifications and approvals.

Liability

Every care has been taken in the preparation of this document. Please inform your local Axis office of any inaccuracies or omissions. Axis

Communications AB cannot be held responsible for any technical or typographical errors and reserves the right to make changes to the product and documentation without prior notice. Axis Communications AB makes no warranty of any kind with regard to the material contained within this document, including, but not limited to, the implied warranties of merchantability and fitness for a particular purpose. Axis Communications AB shall not be liable nor responsible for incidental or consequential damages in connection with the furnishing, performance or use of this material. This product is only to be used for its intended purpose.

Disposal and Recycling

When this product has reached the end of its useful life, dispose of it according to local laws and regulations. For information about your nearest designated collection point, contact your local authority responsible for waste disposal. In accordance with local legislation, penalties may be applicable for incorrect disposal of this waste.

Europe

This symbol means that the product shall not be disposed of together with household or commercial waste. Directive 2012/19/EU on waste electrical and electronic equipment (WEEE) is applicable in the European Union member states. To prevent potential harm to human health and the environment, the product must be disposed of in an approved and environmentally safe recycling process. For information about your nearest designated collection point, contact your local



authority responsible for waste disposal. Businesses should contact the product supplier for information about how to dispose of this product correctly.

This product complies with the requirements of Directive 2011/65/EU on the restriction of the use of certain hazardous substances in electrical and electronic equipment (RoHS).

China

This product complies with the requirements of the legislative act Administration on the Control of Pollution Caused by Electronic Information Products (ACPEIP).



Support

Should you require any technical assistance, please contact your Axis reseller. If your questions cannot be answered immediately, your reseller will forward your queries through the appropriate channels to ensure a rapid response. If you are connected to the Internet, you can:

- download user documentation and firmware updates
- find answers to resolved problems in the FAQ database. Search by product, category, or phrases
- report problems to Axis support by logging in to your private support area.
- chat with Axis support staff (selected countries only)
- visit Axis Support at www.axis.com/techsup/

Should you require any technical assistance, please contact appropriate channels according to your AVHS license agreement to ensure a rapid

response.

Learn More!

Visit Axis learning center
www.axis.com/academy for useful
trainings,
webinars, tutorials and guides.

Warranty

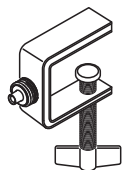


Contact Information

Axis Communications AB
Emdalavägen 14
223 69 Lund
Sweden
Tel: +46 46 272 18 00
Fax: +46 46 13 61 30
www.axis.com



1x



1x



1x



1x



1x



1x



1x



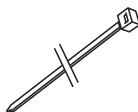
2x



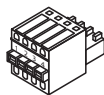
4x



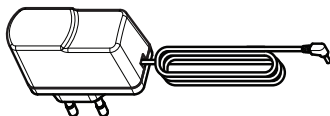
4x



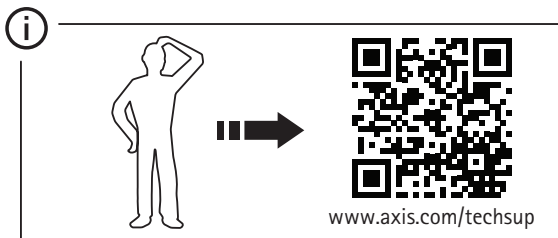
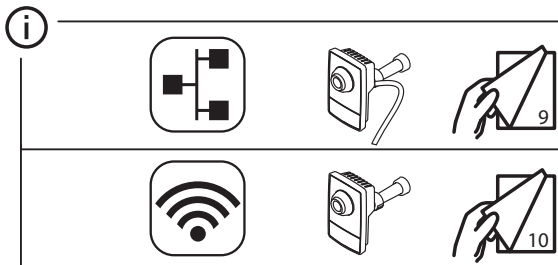
1x

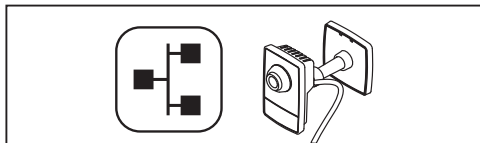


1x

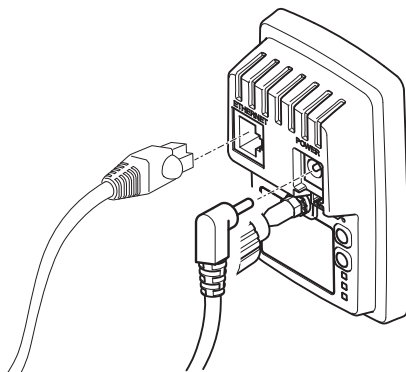


1x

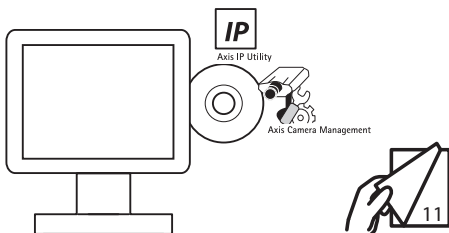




1

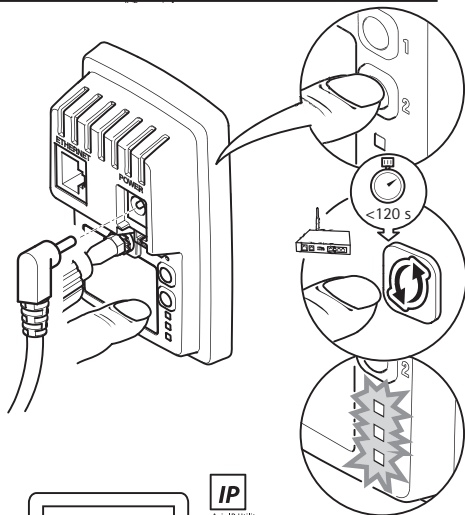


2

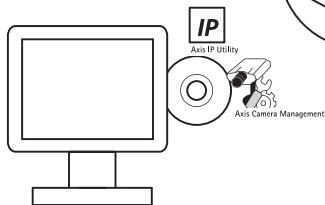


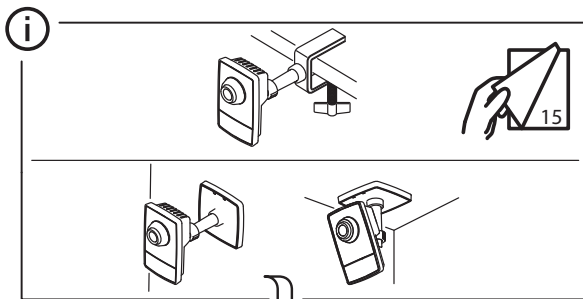


3

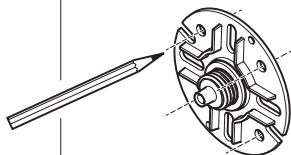


4

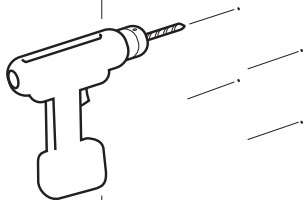




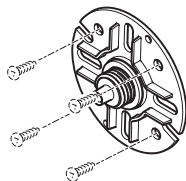
5



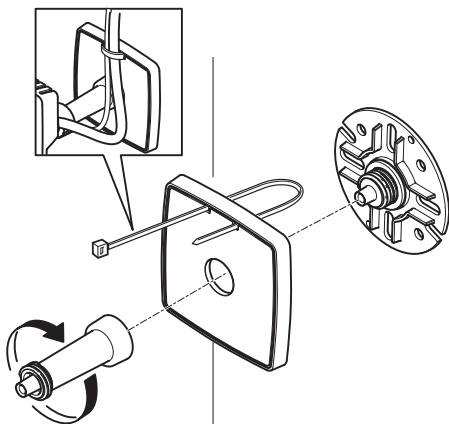
6



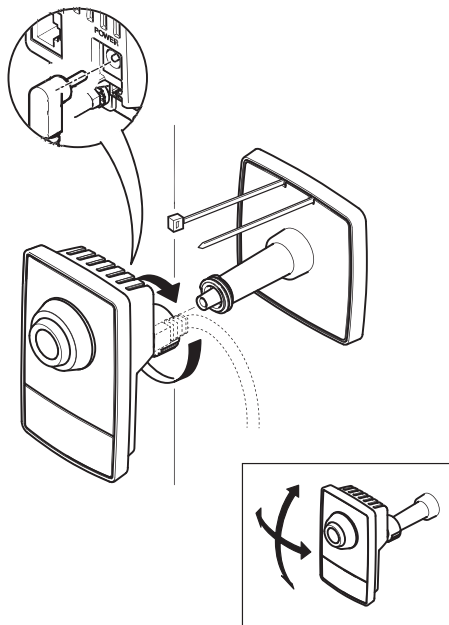
7



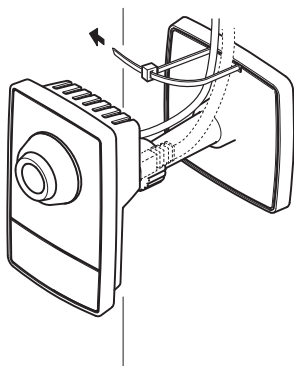
8

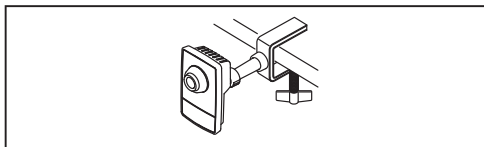


9

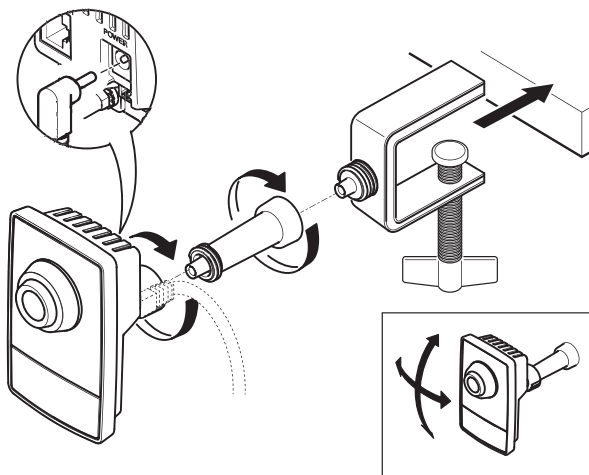


10





11



Installation Guide

AXIS M1004-W Network Camera

© Axis Communications AB, 2013

Ver.1.0

Printed: March 2013

Part No. 49515