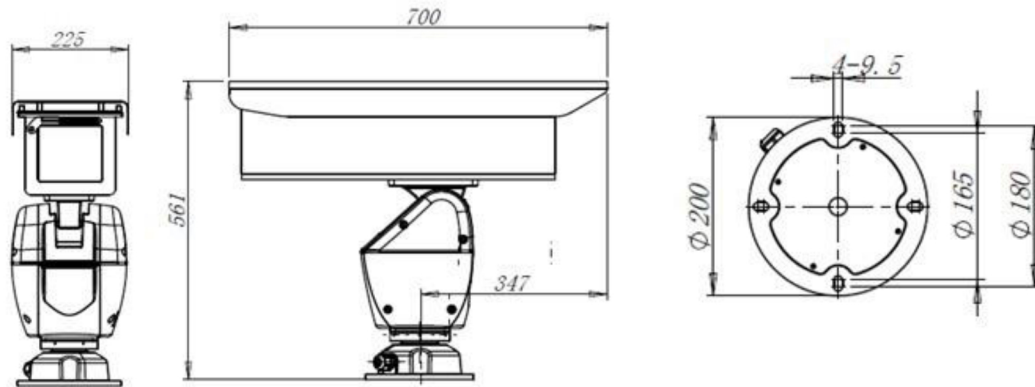


중형 포지셔닝 시스템



- 메가픽셀 카메라 열상카메라 지원
- 하우징, 와이퍼, Fan/Heater 자동온도조절 지원
- 360°Endless고속 회전(초당20°)
- 상,하+ 20° ~ -45° 회전(초당12°)
- 256프리셋, 렌즈 프리셋 지원
- 알루미늄 방수 케이스
- RS-485통신
- 리시버내장
- OSD 지원



Model	VD-582/592
Self-checking	Yes
OSD menu	Yes
PTZ preset position	256
Communication methods	485 two-way transmission signal
Communication protocol	P-P/D(2400 , 4800 , 9600)
Communication address	512
Lens zoom/focus/iris control	3 groups of relay
Lens preset position	Support
Lens zoom/focus control voltage	DC3V-10V adjustment
485 interface	1-input for PTZ, 1-output for camera
Camera power	12V 1.2A
Programmable preset tracking	4 groups, every preset position can be set the speed
Patrol	4 groups, has the speed memory when the playback
P2P scan	4 groups, can be set the rotation speed independently
360°auto-pan	1 group, can be set the rotation speed
Horizontal vertical scanning	4 groups, can set the rotation speed independently
Electronic manual limit	Pan/Tilt can be setting
Auto back home	6 kinds of patterns can be setting
Pan range	360° endless
Pan speed	0.01°—20°/s
Tilt range	-45°—+20°
Tilt speed	0.01°—12°/s
Long-focus speed limit	PTZ speed follow with the lens zoom
Coordinate	Screen display horizontal, vertical Angle or electronic compass (analog)
Power off memory	Support
Wiper	Yes
Fan / heater	Auto
Remote reset	Support
Auxiliary switch	1-input, 2-relay output, can linkage with through-fog lens
Alarm(optional)	4-input, 2-output
Electrostatic / surge protection	GB/T17626.5-2008
Protection class	IP66
Maximum load	25Kg
Power	AC24V / DC24V double power input
Power consumption	50W (heater ON)
Operation temperature	-30°C—+60°C (optional : -50°C—+60°C)
Environmental humidity	0-90% non-condensing
Dimension	225 X 561 X 700mm(W×H ×L)
Weight	23KG