

AXIS M10 네트워크 카메라 시리즈

마켓 리더가 선보이는 가장 작고 스마트한 네트워크 카메라



- > 간편하고 유연한 설치
- > PIR 센서 및 조명 LED
- > 마이크, 스피커, I/O 포트
- > 무선 연결 지원
- > MicroSD/ MicroSDHC 카드 슬롯

AXIS M10 시리즈는 소규모 사업장, 부티크, 레스토랑, 호텔, 가정집 등의 보안을 유지하는 데 이상적인 작고 스마트한 카메라입니다. 직관적이고 신뢰할 수 있는 이 카메라는 동급 최고의 이미지 품질과 전문적인 모니터링 기능을 제공합니다.

기능적이고 스마트한 설계의 AXIS M10 네트워크 카메라는 품질은 높으면서도 가격은 저렴한 영상 감시 솔루션입니다. 프로그레시브 스캔 기술을 통해 모션 블러 현상 없이 움직이는 물체의 이미지를 VGA 또는 HDTV(AXIS M1014/M1034-W/M1054) 해상도로 제공합니다.

다중 H.264와 Motion JPEG 스트림을 동시에 제공할 수 있고, 다양한 품질 요건과 대역폭의 제약에 맞게 개별적으로 최적화할 수 있습니다. AXIS M1011, AXIS M1011-W, AXIS M1031-W는 MPEG-4 Part 2를 지원해 역방향으로도 호환 가능합니다.

AXIS M10 시리즈는 간편하고 유연하게 설치할 수 있도록 설계되었습니다. AXIS M1011-W, AXIS M1031-W, AXIS M1033-W 및 AXIS M1034-W는 무선 또는 유선으로 네트워크에 연결할 수 있으며, AXIS M1054는

이더넷 또는 전원 공급 장치로 전원을 공급할 수 있습니다.

AXIS M1031-W, AXIS M1033-W, AXIS M1034-W 및 AXIS M1054에는 어둠 속에서도 움직임을 감지할 수 있는 통합 PIR 센서와 사건 현장을 비추는 데 쓰이는 흰색 LED가 탑재되어 있습니다. AXIS M1033-W, AXIS M1034-W 및 AXIS M1054는 외부 장치를 연결할 수 있는 입출력 포트도 각각 하나씩 지원합니다.

AXIS M1031-W, AXIS M1033-W, AXIS M1034-W 및 AXIS M1054는 내장 마이크와 스피커를 사용해 양방향 오디오를 지원하므로 한 지역을 원격에서 청취할 수 있을 뿐 아니라, 사람들과 직접 통신하거나 업로드 또는 녹음된 오디오 클립을 사용하여 통신할 수도 있습니다.



Model Specifications – AXIS M10 Network Camera Series

	Adjustable focus	Audio	Wireless	Wi-Fi Protected Setup™ PBC compatible	MicroSD/MicroSDHC card slot	PIR sensor White LED	I/O ports	PoE support
AXIS M1011								
AXIS M1013	✓				✓			
AXIS M1014	✓				✓			
AXIS M1011-W			IEEE 802.11b/g					
AXIS M1031-W		✓	IEEE 802.11b/g			✓		
AXIS M1033-W	✓	✓	IEEE 802.11b/g/n	✓		✓	✓	
AXIS M1034-W	✓	✓	IEEE 802.11b/g/n	✓		✓	✓	
AXIS M1054		✓				✓	✓	✓

Technical Specifications – AXIS M10 Network Camera Series

Camera	
Models	AXIS M1011/M1013/M1014: Wired interface AXIS M1011-W: Wired and wireless interface AXIS M1031-W: Wired and wireless interface, PIR sensor, illumination LED, audio AXIS M1033-W/M1034-W: Wired and wireless interface, PIR sensor, illumination LED, audio, I/O ports AXIS M1054: Power over Ethernet, PIR sensor, illumination LED, audio, I/O ports
Image sensor	AXIS M1011/M1011-W/M1031-W: 1/4" progressive scan RGB CMOS, AXIS M1013/M1014/M1033-W/M1034-W/M1054: 1/4" progressive scan RGB CMOS
Lens	AXIS M1011/M1011-W/M1031-W: 4.4 mm: 47° view*, F2.0, fixed iris, fixed focus AXIS M1013/M1033-W: 2.8 mm: 67° view*, F2.0, fixed iris, adjustable focus AXIS M1014/M1034-W: 2.8 mm: 80° view*, F2.0, fixed iris, adjustable focus AXIS M1054: 2.9 mm: 84° view*, F2.0, fixed iris, fixed focus *horizontal angle of view
Light sensitivity	AXIS M1011/M1011-W/M1031-W: 1-10000 lux, F2.0 AXIS M1013/M1014/M1033-W/M1034-W/M1054: 1.2 - 10000 lux, F2.0 AXIS M1031-W/M1033-W/M1034-W/M1054: 0 lux with illumination LED on
Shutter time	AXIS M1011/M1011-W/M1031-W: 1/5000 s to 1/4 s AXIS M1013/M1014/M1033-W/M1034-W: 1/8000 s to 1/6 s AXIS M1054: 1/24500 s to 1/6 s
Pan/Tilt/Zoom	AXIS M1013/M1014/M1033-W/M1034-W: Digital PTZ AXIS M1054: Digital PTZ, preset positions, guard tour
Video	
Video compression	AXIS M1011/M1011-W/M1031-W: H.264 Baseline (MPEG-4 Part 10/AVC), MPEG-4 Part 2 (ISO/IEC 14496-2), Motion JPEG AXIS M1013/M1014/M1033-W/M1034-W: H.264 Main Profile (MPEG-4 Part 10/AVC), Motion JPEG AXIS M1054: H.264 Baseline (MPEG-4 Part 10/AVC), Motion JPEG
Resolutions	AXIS M1011/M1011-W/M1031-W: 640x480 to 160x120 AXIS M1013/M1033-W: 800x600 to 320x240 AXIS M1014/M1034-W: 1280x800 to 320x240 AXIS M1054: 1280x800 to 160x90
Frame rate	H.264: 30 fps in all resolutions Motion JPEG: 30 fps in all resolutions (performance may be reduced in wireless mode) AXIS M1011/M1011-W/M1031-W, MPEG-4 Part 2: 30 fps in all resolutions
Video streaming	Multiple, individually configurable streams in H.264 and Motion JPEG, as well as MPEG-4 Part 2 with AXIS M1011/ M1011-W/M1031-W Controllable frame rate and bandwidth VBR/CBR H.264, MPEG-4 Part 2
Image settings	AXIS M1011/M1011-W/M1031-W/M1054: Compression, color, brightness, sharpness, contrast, white balance, exposure control, exposure zones, backlight compensation, rotation Text and image overlay, Privacy mask AXIS M1013/M1014/M1033-W/M1034-W: Compression, color, brightness, sharpness, contrast, white balance, backlight compensation, rotation Text and image overlay, Privacy mask AXIS M1013/M1014/M1033-W/M1034-W/M1054: Mirroring, Axis' Corridor Format
Audio (AXIS M1031-W, AXIS M1033-W, AXIS M1034-W & AXIS M1054)	
Audio streaming	Two-way
Audio compression	AAC-LC 8/16 kHz, G.711 PCM 8 kHz, G.726 ADPCM 8 kHz Configurable bit rate
Audio in/out	Built-in microphone (can be disabled) and speaker
Network	
Wireless interface	Internal antenna AXIS M1011-W/M1031-W: IEEE 802.11b/g AXIS M1033-W/M1034-W: IEEE 802.11b/g/n
Security	Password protection, IP address filtering, HTTPS** encryption, IEEE 802.1X network access control, digest authentication, user access log AXIS M1011-W, AXIS M1031-W, AXIS M1033-W, AXIS M1034-W: WEP 64/128 bit, WPA/WPA2-PSK, WPA, WPA2 Enterprise AXIS M1033-W, AXIS M1034-W: WLAN pairing button (Wi-Fi Protected Setup™ PBC compatible)
Supported protocols	IPv4/v6, HTTP, HTTPS**, QoS Layer 3 DiffServ, FTP, CIFS/SMB (not supported in AXIS M1011/M1011-W/M1031-W), SMTP, Bonjour, UPnP™, SNMPv1/v2c/v3(MIB-II), DNS, DynDNS, NTP, RTSP, RTP, TCP, UDP, IGMP, RTCP, ICMP, DHCP, ARP, SOCKS

**This product includes software developed by the OpenSSL Project for use in the OpenSSL Toolkit. (www.openssl.org)

Technical Specifications – AXIS M10 Network Camera Series

System integration

Application Programming Interface	Open API for software integration, including the ONVIF specification available at www.onvif.org , as well as VAPIX® from Axis Communications, specifications available at www.axis.com ; Support for AXIS Video Hosting System (AVHS) with One-Click Camera connection AXIS M1054: Support for AXIS Camera Application Platform from Axis Communications, specifications available at www.axis.com
Intelligent video	Video motion detection, active tampering alarm AXIS M1031-W/M1033-W/M1034-W/M1054: Audio detection AXIS M1054: Support for AXIS Camera Application Platform enabling installation of additional applications
Event triggers	Intelligent video AXIS M1031-W: Built-in PIR sensor AXIS M1033-W/M1034-W/M1054: External input, built-in PIR
Event actions	File upload: FTP, HTTP, network share and email Notification: email, HTTP and TCP Pre- and post-alarm video buffering AXIS M1031-W/M1033-W/M1034-W/M1054: Activation of illumination LED, audio clip playback AXIS M1013/M1014: Video recording to edge storage AXIS M1033-W/M1034-W/M1054: External output activation, video and audio recording to edge storage
Data Streaming	Event data
Built-in installation aids	Pixel counter
General	
Casing	AXIS M1011/M1011-W/M1013/M1014/M1031-W/M1033-W/M1034-W: Polycarbonate AXIS M1054: Aluminium and polycarbonate Color: white NCS S 1002-B
Memory	AXIS M1011/M1011-W/M1031-W: 64 MB RAM, 32 MB Flash AXIS M1013/M1014/M1033-W/M1034-W: 256 MB RAM, 128 MB Flash AXIS M1054: 128 MB RAM, 128 MB Flash
Power	4.9 – 5.1 V DC, max. 2.2 W AXIS M1054: Power over Ethernet IEEE 802.3af Class 2 (max. 6.49 W)
Connectors	DC jack, RJ-45 10BASE-T/100BASE-TX AXIS M1033-W/M1034-W/M1054: 1 alarm input and 1 output

Edge storage	AXIS M1013/M1014: MicroSD/microSDHC/microSDXC slot supporting memory card up to 64 GB (card not included) AXIS M1013/M1014/M1033-W/M1034-W/M1054: Support for recording to network share (Network Attached Storage or file server)
PIR sensor	AXIS M1031-W/M1033-W/M1034-W/M1054: Passive infrared (PIR) motion sensor with configurable sensitivity. Max range: 6 m
Illumination LED	AXIS M1031-W/M1033-W/M1034-W/M1054: White illumination LED: 1 W, Class 1M
Operating conditions	Humidity 20 – 80% RH (non-condensing) AXIS M1011/M1011-W/M1031-W: 0 °C to 50 °C (32 °F to 122 °F) AXIS M1013/M1014/M1033-W/M1034-W/M1054: 0 °C to 40 °C (32 °F to 104 °F)
Approvals	AXIS M1011: EN 55022 Class B, EN 55024, EN 61000-3-2, EN 61000-3-3, EN 61000-6-1, EN 61000-6-2, EN 60950-1, FCC Part 15 Subpart B Class B, VCCI Class B, ICES-003 Class B, C-tick AXIS M1011-W/M1031-W: EN 55022 Class B, EN 55024, EN 61000-3-2, EN 61000-3-3, EN 61000-6-1, EN 61000-6-2, EN 301489-1, EN 301489-17, EN 300328, EN 60950-1, FCC Part 15 Subpart B and C Class B, VCCI Class B, RSS-210, C-tick, TELEC, KCC AXIS M1033-W/M1034-W: EN 301489-1, EN 301489-17, EN 55022 Class B, EN 61000-3-2, EN 61000-3-3, EN 61000-6-1, EN 61000-6-2, EN 61000-6-2, EN 62311:2008, EN 300 328, FCC Part 15 Subpart B and C Class B, VCCI Class B, C-tick AS/NZS CISPR 22, ICES-003 Class B, KCC Class B, IEC/EN 60950-1, SRRC, ANATEL, TELEC, RSS-210, AS/NZS 4771, EN/IEC 62741 (risk group 1) AXIS M1013/M1014/M1054: EN 55022 Class B, EN 61000-3-2, EN 61000-3-3, EN 61000-6-1, EN 61000-6-2, EN 55024, FCC Part 15 Subpart B and C Class B, VCCI Class B, C-tick AS/NZS CISPR 22, ICES-003 Class B, KCC Class B, IEC/EN 60950-1 Power supply: EN 60950-1, cCSAus
Weight	AXIS M1011/-W: 94 g (0.21 lb) AXIS M1013/M1014: 110 g (0.24 lb) AXIS M1031-W: 101 g (0.22 lb) AXIS M1033-W/M1034-W: 118 g (0.26 lb) AXIS M1054: 156 g (0.34 lb)
Included accessories	Power supply, stand and clamp, Installation/Quick Guide, Installation and Management Software CD, Windows decoder 1-user license AXIS M1033-W/M1034-W/M1054: Extension for stand: 100 mm (4.0")

Unique pixel counter feature



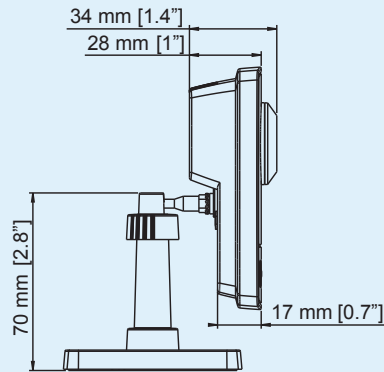
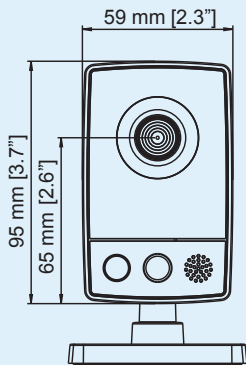
AXIS M10 Series features the unique pixel counter that allows the installer to easily verify that the camera installation fulfills any regulatory or specific customer requirements, for example, calculating the pixel resolution of the face of a person passing a doorway monitored by the camera.



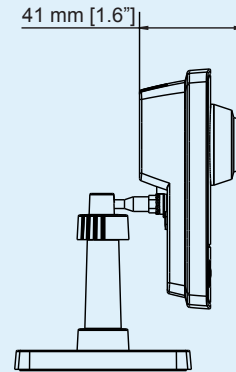
More information is available at:
www.axis.com/products/m10_series/

Dimensions - AXIS M10 Network Camera Series

Dimensions



AXIS M1011/M1011-W/M1031-W



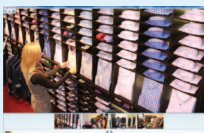
AXIS M1013/M1014/M1033-W/M1034-W/M1054

Accessories - AXIS M10 Network Camera Series

Included accessories

(AXIS M1033-W/M1034-W/M1054)

Extension for stand



AXIS Camera Companion (included),
AXIS Camera Station and video management
software from Axis' Application Development
Partners (not included). For more information,
see www.axis.com/products/video/software

Optional accessories

(*all AXIS M10 Network Cameras except AXIS M1054)

AXIS PoE Active Splitter 5V AF*



AXIS T8414 Installation Display



AXIS P8221 Network I/O Audio Module

